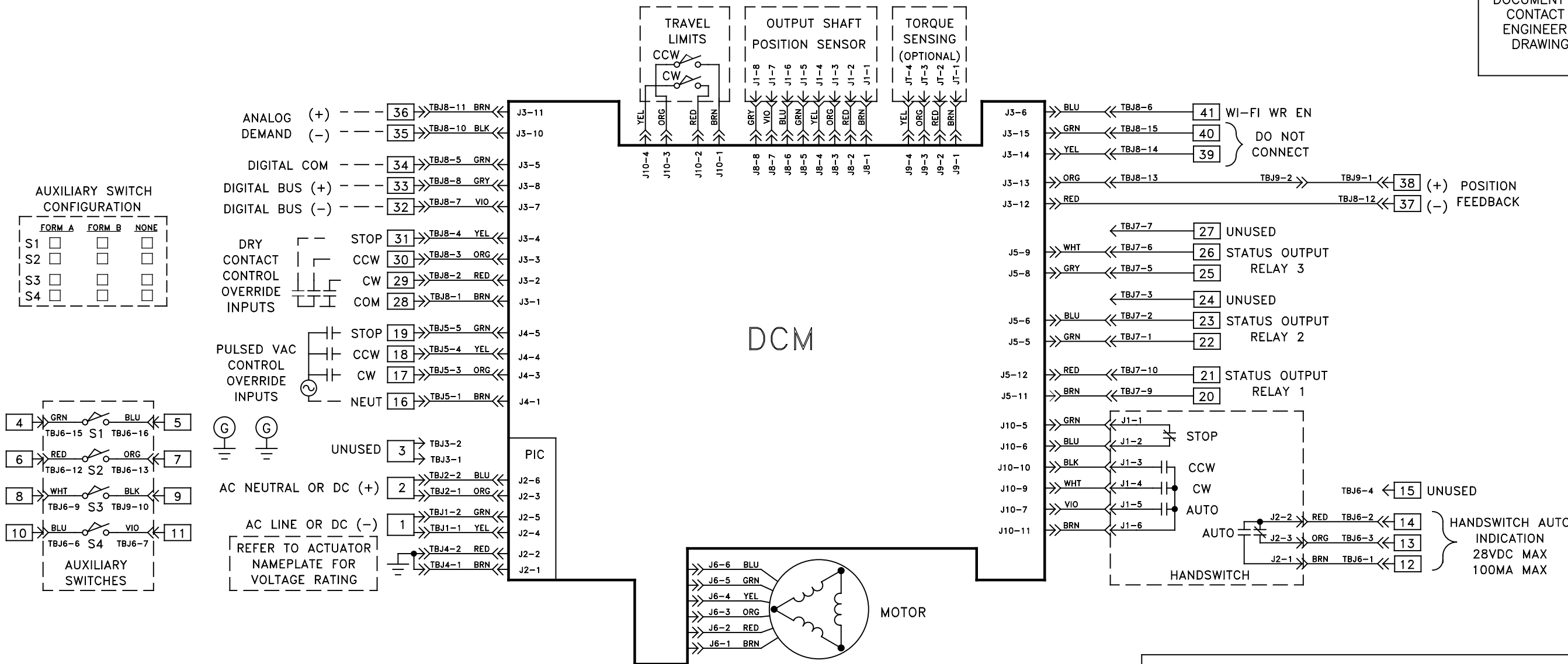
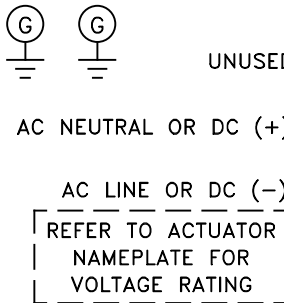
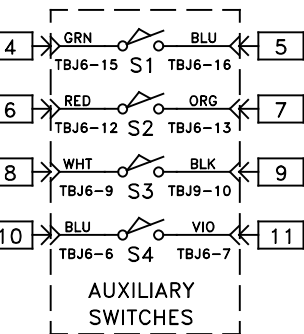


THIS DOCUMENT IS A COPY AND IS NOT THE SOURCE DOCUMENT. INFORMATION IS SUBJECT TO CHANGE WITHOUT NOTICE. THE INFORMATION CONTAINED HEREIN IS COPYRIGHTED BY HAROLD BECK AND SONS, INC. CHANGES TO THE DOCUMENT ARE PROHIBITED. CONTACT A BECK SALES ENGINEER IF A CERTIFIED DRAWING IS REQUIRED.



AUXILIARY SWITCH CONFIGURATION

	FORM A	FORM B	NONE
S1	<input type="checkbox"/>	<input type="checkbox"/>	<input type="checkbox"/>
S2	<input type="checkbox"/>	<input type="checkbox"/>	<input type="checkbox"/>
S3	<input type="checkbox"/>	<input type="checkbox"/>	<input type="checkbox"/>
S4	<input type="checkbox"/>	<input type="checkbox"/>	<input type="checkbox"/>



- NOTES:**
- INPUT/FEEDBACK SIGNALS:
ISA TYPE 4, CLASS U POWER ISOLATED
 - #— CUSTOMER TERMINAL BLOCK

SIZE:
B

HAROLD BECK & SONS INC
NEWTOWN INDUSTRIAL COMMONS NEWTOWN, PENNSYLVANIA 18940 USA

TITLE:
**WIRING DIAGRAM, GROUP
 57-109/209 VOLTAGE PER NAMEPLATE
 0 - 4 AUX. SWITCHES**

DRAWN: CHH 3/27/20	SCALE: NONE	DRAWING NO: 17-0579-150	REV: A
CHECKED: BDP 10-6-20		SHEET NO. 1 OF 1	
APPROVED: FWB 10-7-20			