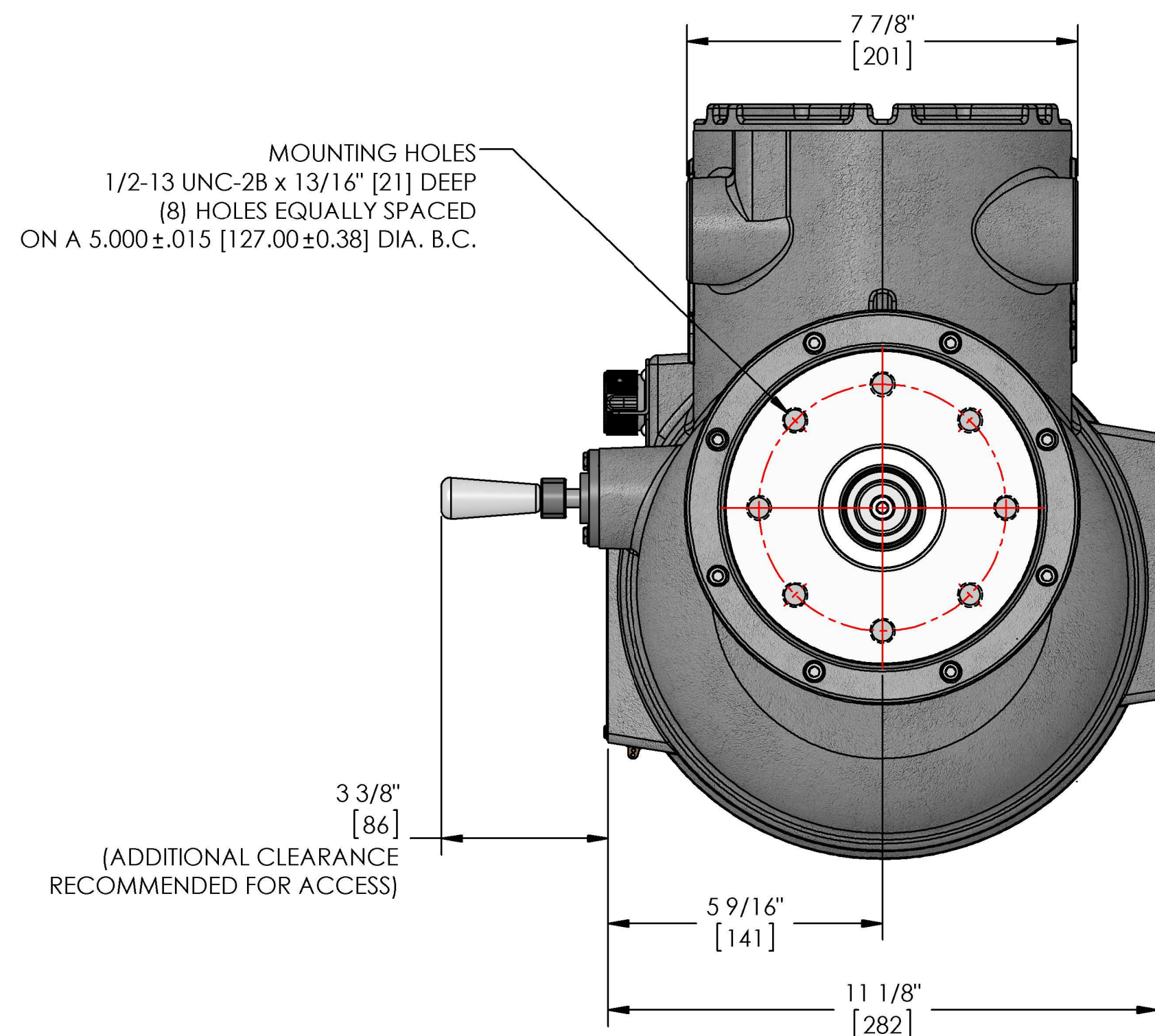
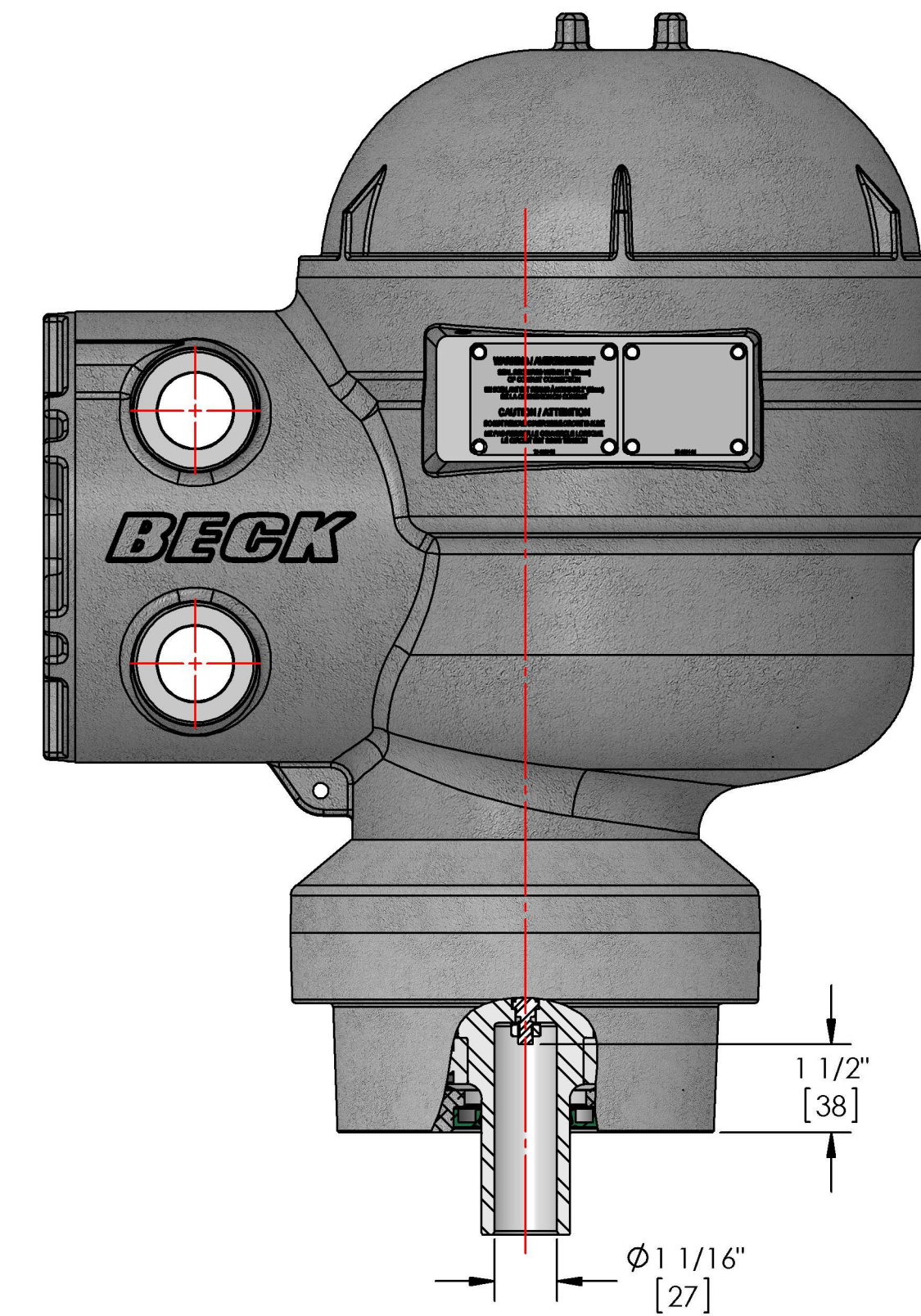
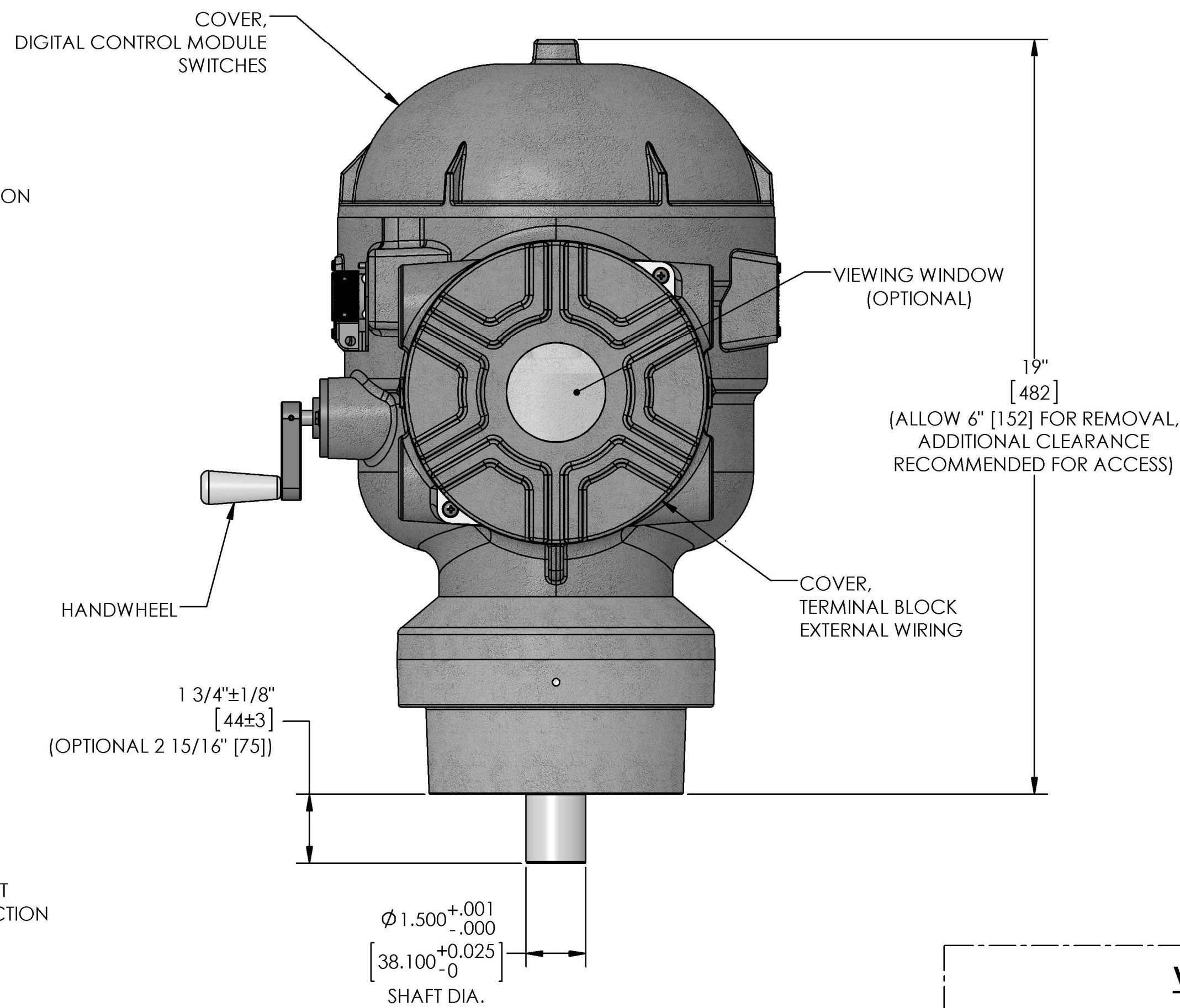
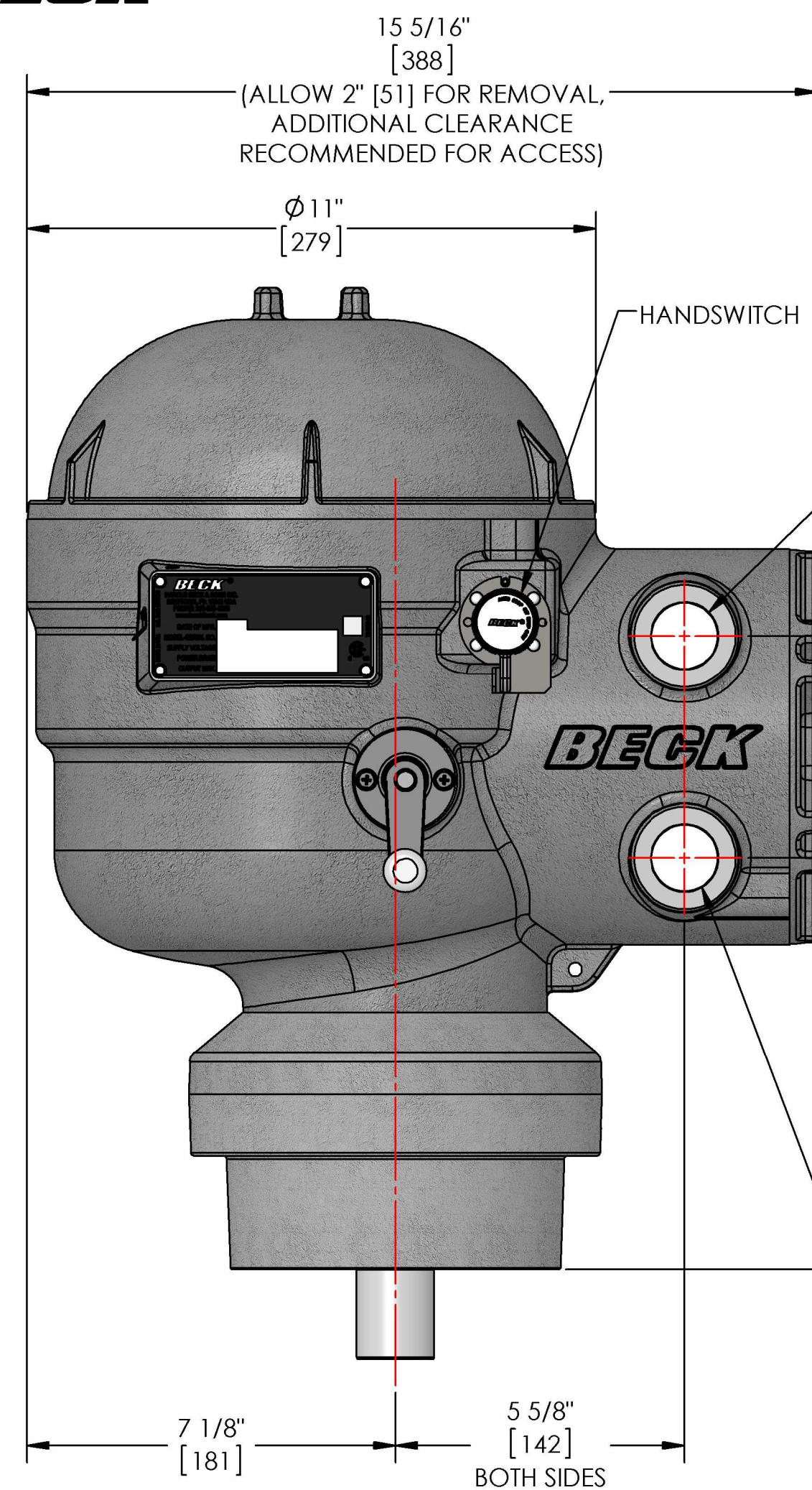
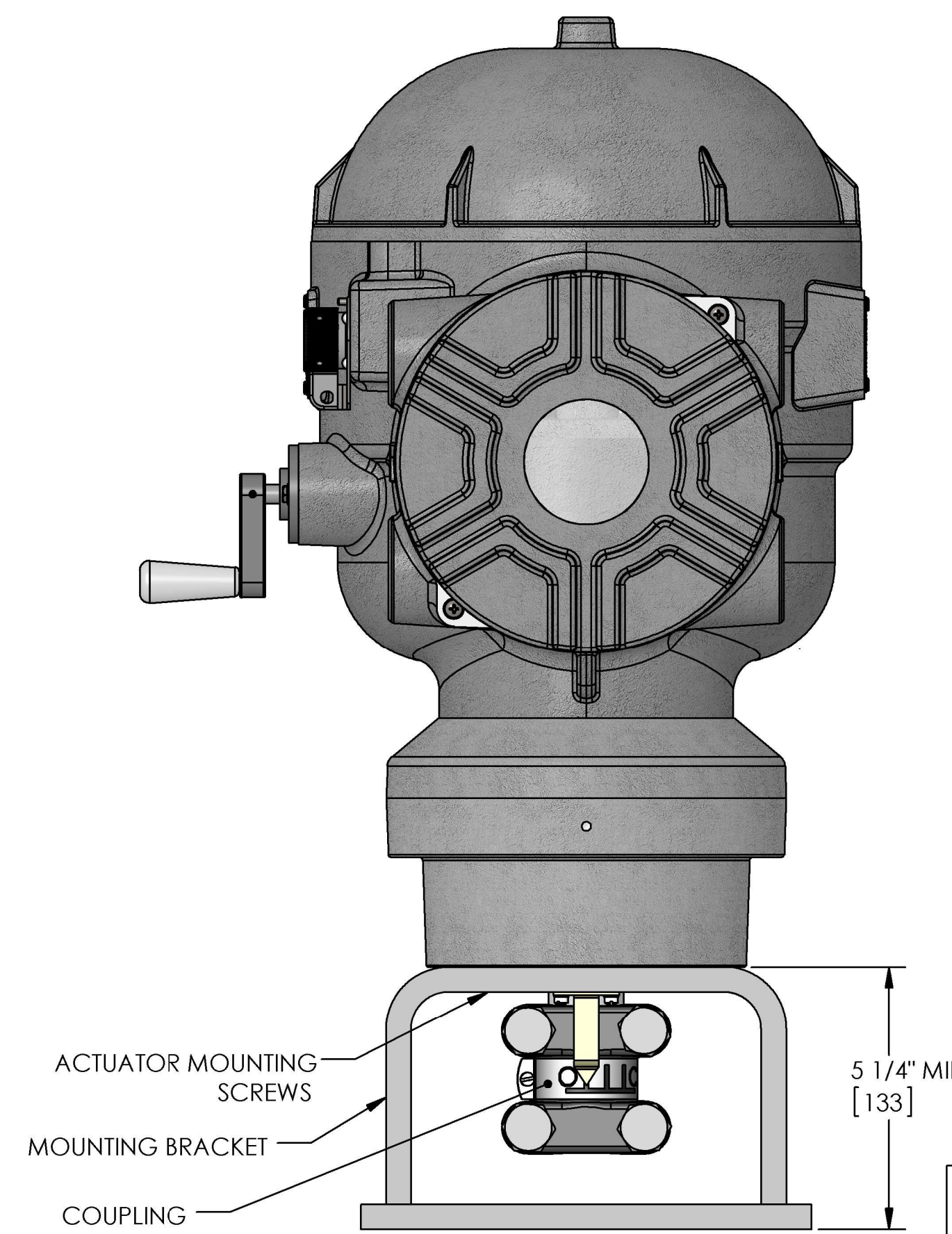


THIS DOCUMENT IS A COPY AND IS NOT THE SOURCE DOCUMENT. INFORMATION IS SUBJECT TO CHANGE WITHOUT NOTICE. THE INFORMATION CONTAINED HEREIN IS COPYRIGHTED BY HAROLD BECK AND SONS, INC. CHANGES TO THE DOCUMENT ARE PROHIBITED. CONTACT A BECK SALES ENGINEER IF A CERTIFIED DRAWING IS REQUIRED.



VALVE DIRECT MOUNT HARDWARE



FASTENER GUIDE		
	SIZE (IN.)	TORQUE LB.-FT./[Nm]
COUPLING SCREWS	5/8-18	170*/[230*]
ACTUATOR MOUNTING SCREWS	1/2-13	50*/[68*]

* MAY VARY PER APPLICATION. REFER TO VALVE MOUNTING SPECIFICATION SHEET SHIPPED WITH YOUR ACTUATOR

ALL DIMENSIONS ARE IN INCHES AND [MM] UNLESS OTHERWISE SPECIFIED.
 THREADS AND TAPPED HOLES ARE SPECIFIED AS UNIFIED THREAD SIZES ONLY.
 CONDUIT PIPE THREADS PER AMERICAN NATIONAL STANDARD TAPER PIPE THREADS (N.P.T.)
 TOLERANCES:
 OUTLINE DIMENSIONS ±1/4" [±6] UNLESS OTHERWISE SPECIFIED
 NAMEPLATES SHOWN IN THEIR STANDARD LOCATIONS

BECK ACTUATOR MODEL NO.	APPROX. WEIGHT	RATED TORQUE	MAXIMUM OVERHUNG LOAD
57-209	85 LBS. 39 KGS.	250 LB.-FT. 339 Nm	3000 LBS. 13.35 kN

HAROLD BECK & SONS INC.
 NEWTOWN INDUSTRIAL COMMONS NEWTOWN, PENNSYLVANIA 18940 USA

TITLE: **OUTLINE DIMENSIONS BECK ACTUATOR MODEL 57-209**

DRAWN: CHH 9-8-20
 CHECKED: BEH 9-14-20
 APPROVED: FWB 9-15-20

SCALE: NONE

DRAWING NO: **18-5700-10o**

REV: **A**

SHEET NO. 1 OF 1

18-5700-10o

