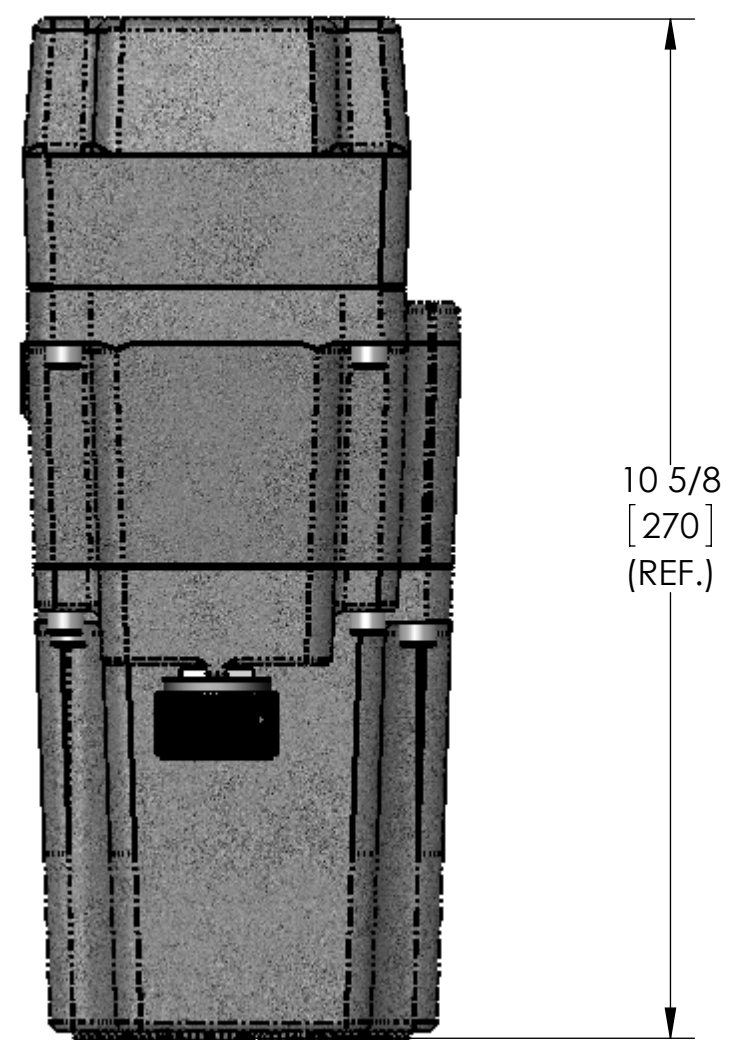
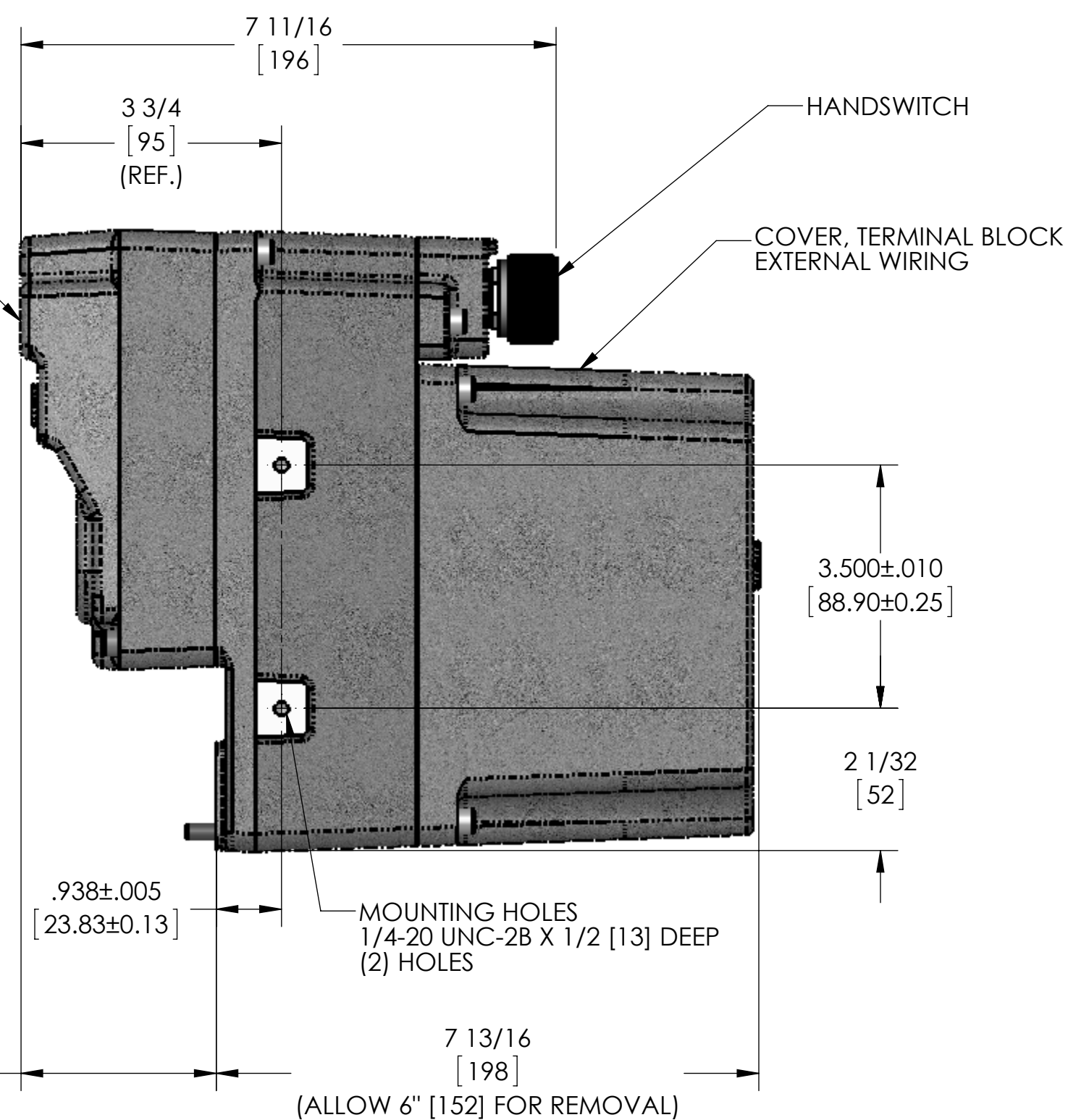


THIS DOCUMENT IS A COPY AND IS NOT THE SOURCE DOCUMENT. INFORMATION IS SUBJECT TO CHANGE WITHOUT NOTICE. THE INFORMATION CONTAINED HEREIN IS COPYRIGHTED BY HAROLD BECK AND SONS, INC. CHANGES TO THE DOCUMENT ARE PROHIBITED. CONTACT A BECK SALES ENGINEER IF A CERTIFIED DRAWING IS REQUIRED.



10 5/8
[270]
(REF.)



TERMINAL ENCLOSURE, WIRING TO ACTUATOR

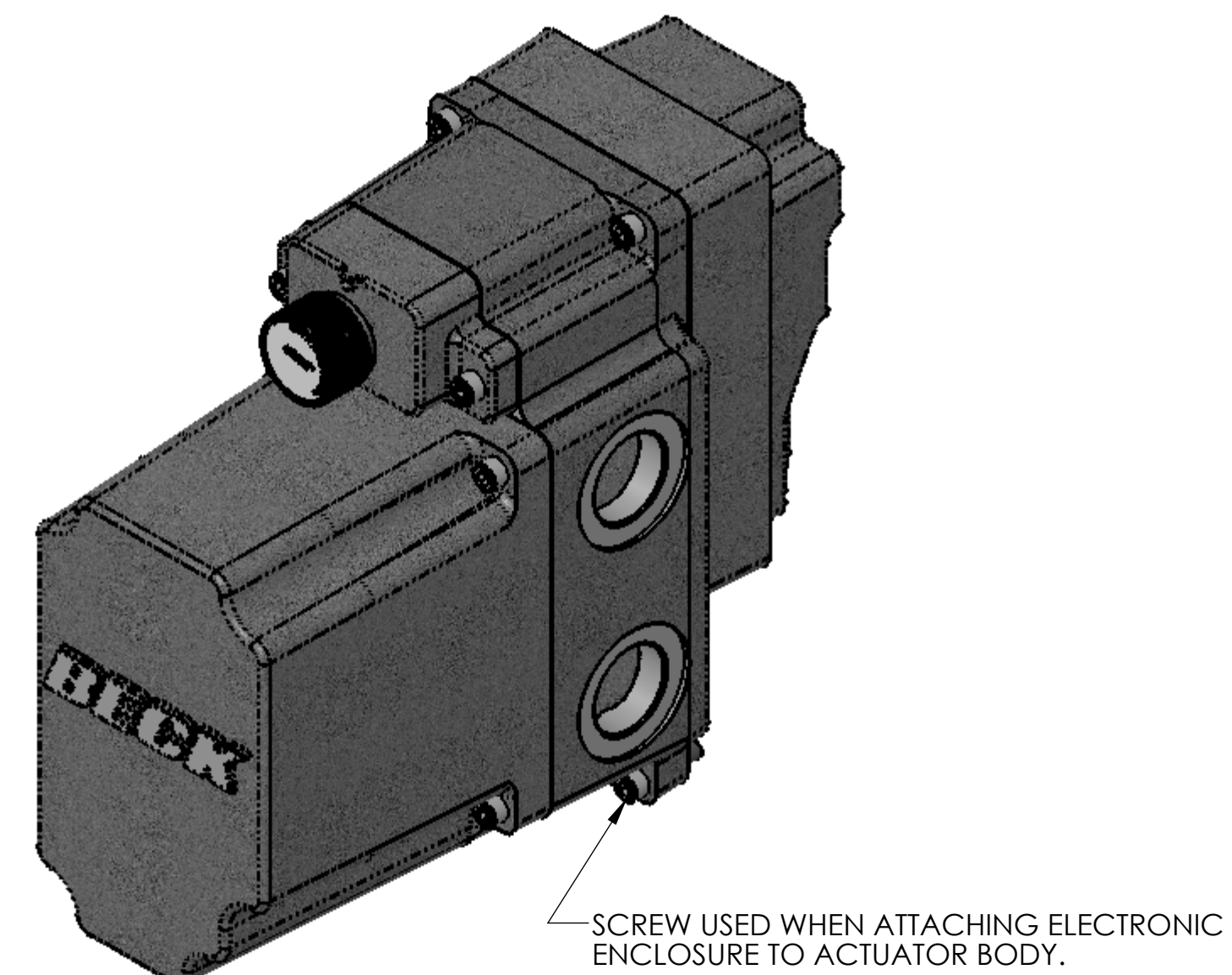
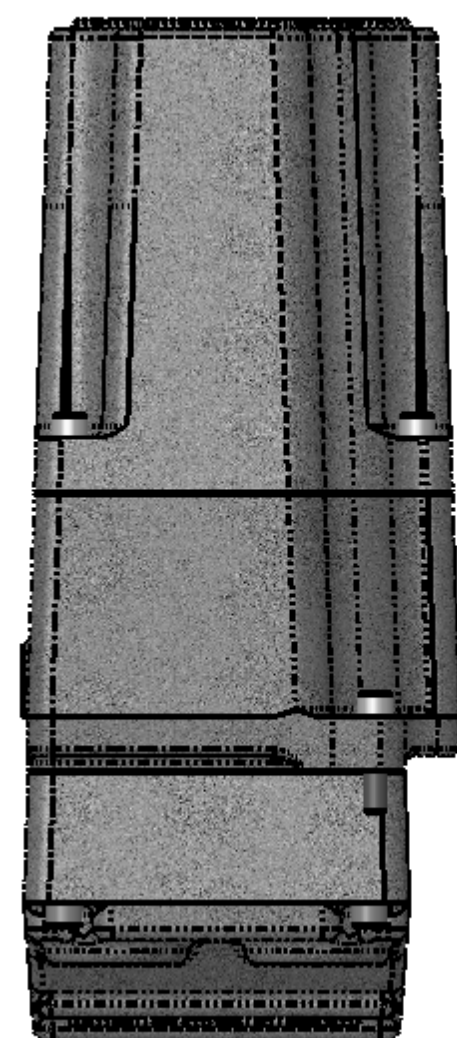
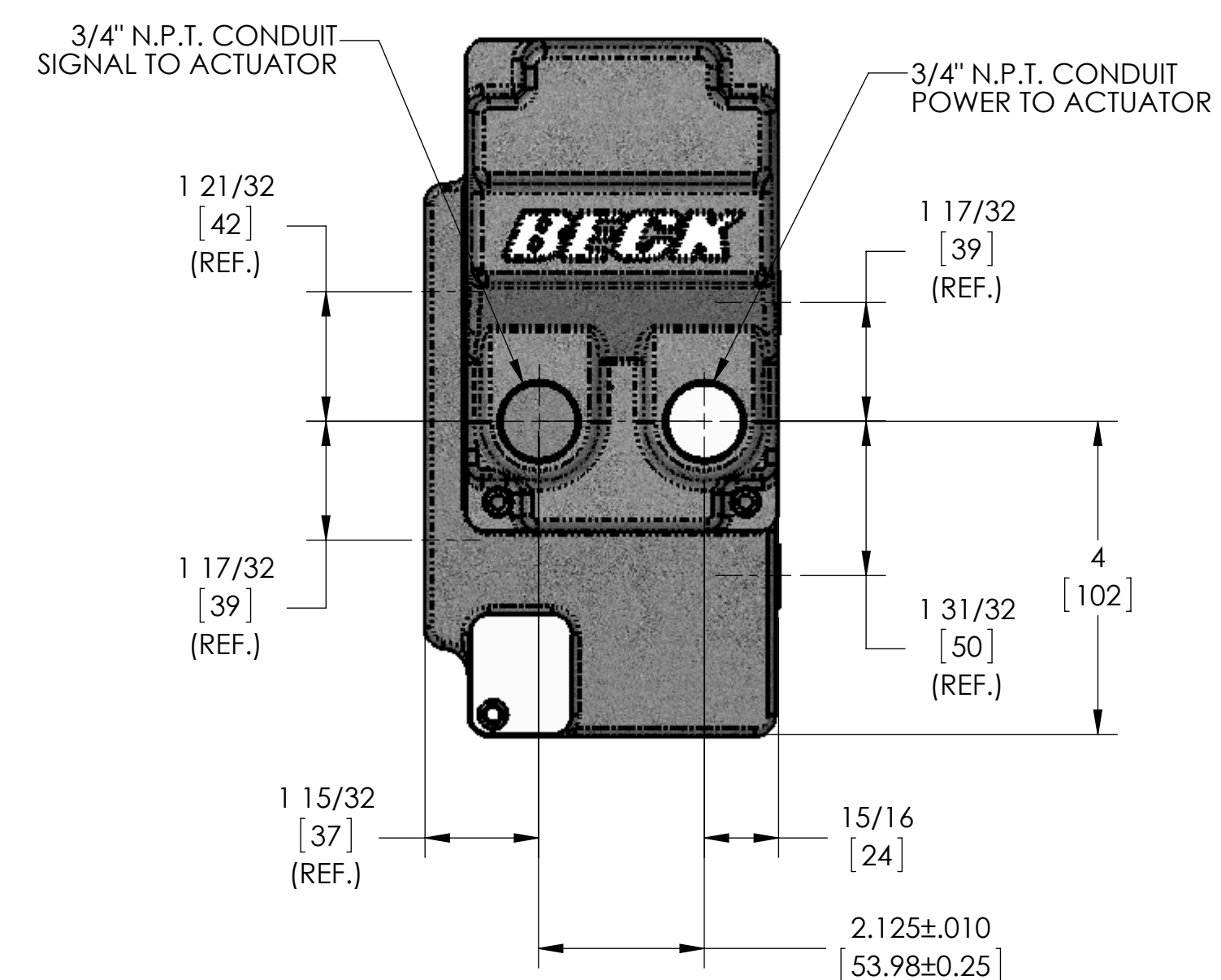
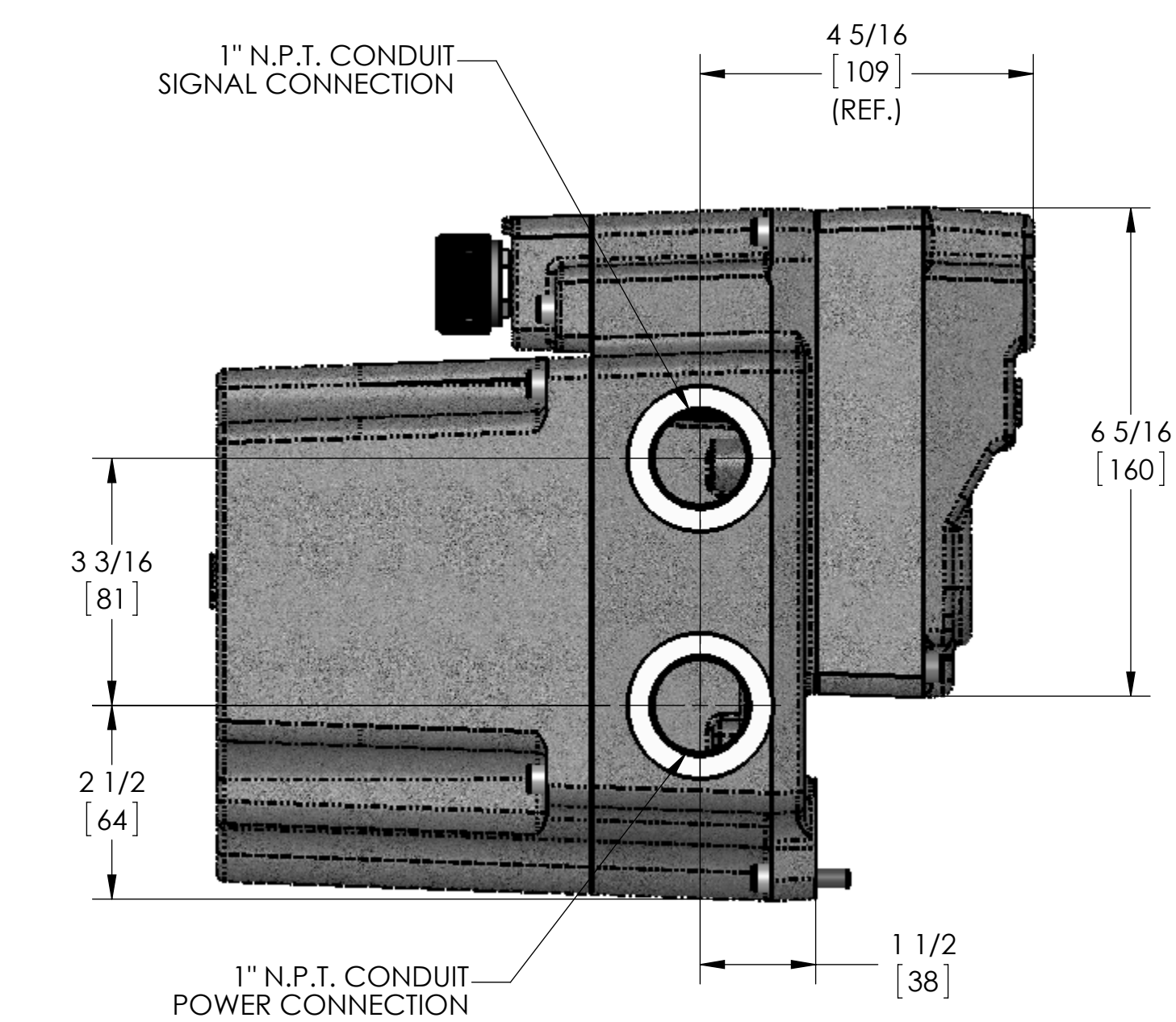
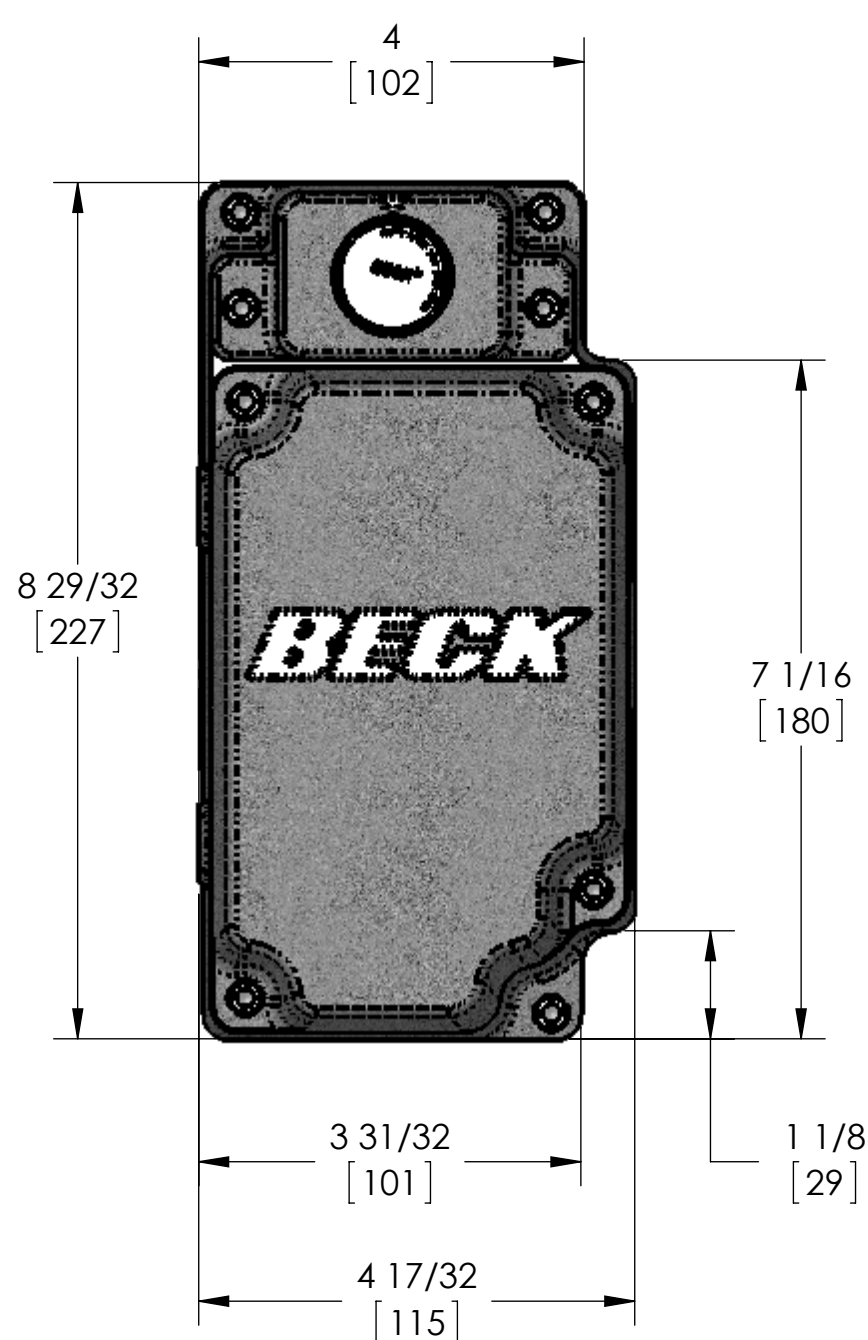
HANDSWITCH

COVER, TERMINAL BLOCK EXTERNAL WIRING

.938±.005 [23.83±0.13] MOUNTING HOLES 1/4-20 UNC-2B X 1/2 [13] DEEP (2) HOLES

2 13/16 [71] (ALLOW 1" [25] FOR REMOVAL)

7 13/16 [198] (ALLOW 6" [152] FOR REMOVAL)

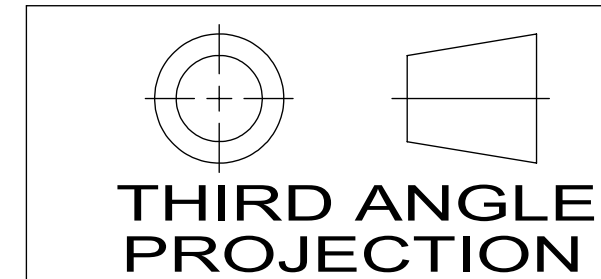


ISOMETRIC VIEW

ALL DIMENSIONS ARE IN INCHES AND [MM] UNLESS OTHERWISE SPECIFIED.
 THREADS AND TAPPED HOLES ARE SPECIFIED AS UNIFIED THREAD SIZES ONLY.
 CONDUIT PIPE THREADS PER AMERICAN NATIONAL STANDARD TAPER PIPE THREADS (N.P.T.)

TOLERANCES:
 OUTLINE DIMENSIONS ± 1/4" [±6] UNLESS OTHERWISE SPECIFIED

FASTENER GUIDE		
	SIZE (IN.)	TORQUE LB-FT./Nm
COVER SCREWS	1/4-20	6/[8]
MOUNTING SCREWS	1/4-20	6/[8]



HAROLD BECK & SONS INC. <small>NEWTOWN INDUSTRIAL COMMONS NEWTOWN, PENNSYLVANIA 18940 USA</small>			
TITLE: OUTLINE DIMENSIONS ELECTRONIC ENCLOSURE REMOTE MOUNT, GROUP 75			
DRAWN: JM 2/04/13	SCALE: NONE	DRAWING NO.:	REV:
CHECKED: CHH 4-30-13		18-7500-25o	A
APPROVED: HHS 4/30/13		SHEET NO. 1 OF 1	

18-7500-25o

SIZE:
D