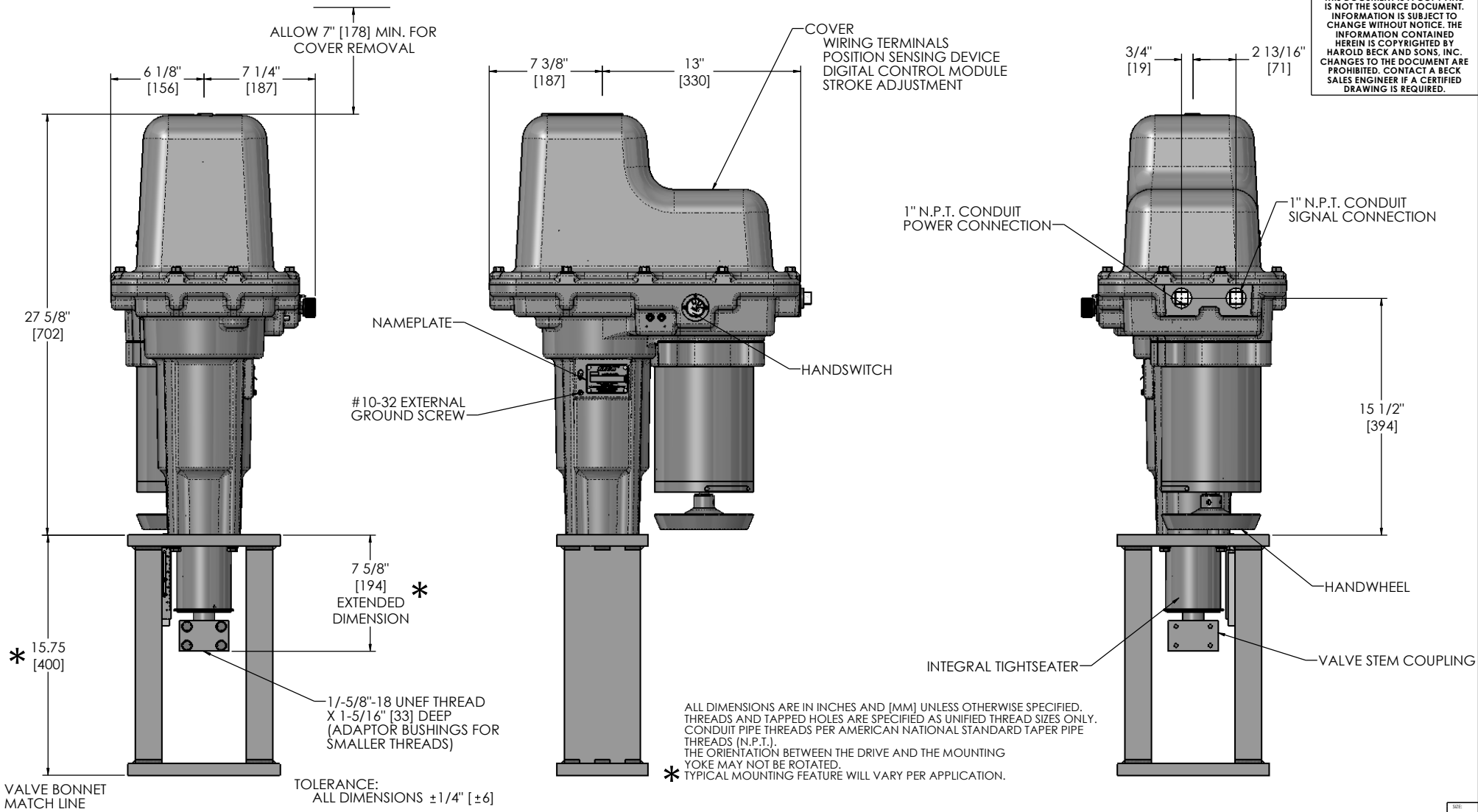


THIS DOCUMENT IS A COPY AND IS NOT THE SOURCE DOCUMENT. INFORMATION IS SUBJECT TO CHANGE WITHOUT NOTICE. THE INFORMATION CONTAINED HEREIN IS COPYRIGHTED BY HAROLD BECK AND SONS, INC. CHANGES TO THE DOCUMENT ARE PROHIBITED. CONTACT A BECK SALES ENGINEER IF A CERTIFIED DRAWING IS REQUIRED.



BECK DRIVE MODEL NO.	DRIVE SHAFT TRAVEL RANGE	* APPROX. WEIGHT LBS./KGS.
29-600	3/4"-4" [19-102]	220/100

FASTENER GUIDE		
	SIZE (IN.)	TORQUE LB-FT./Nm
COVER SCREWS	3/8-16	30/41
MOTOR SCREWS	3/8-16	15/20



HAROLD BECK & SONS INC.			
NEWTON INDUSTRIAL COMPANY, NEWTON, PENNSYLVANIA 18944 USA			
TITLE: OUTLINE DIMENSIONS 29-600 DRIVES			
DRAWN: DMG 9-28-08	SCALE: NONE	DRAWING NO: 18-2960-01o	REV: A
CHECKED: GMD 9-29-08			
APPROVED: RHW 9-30-08			
SHEET NO: 1		OF 1	

18-2960-01o