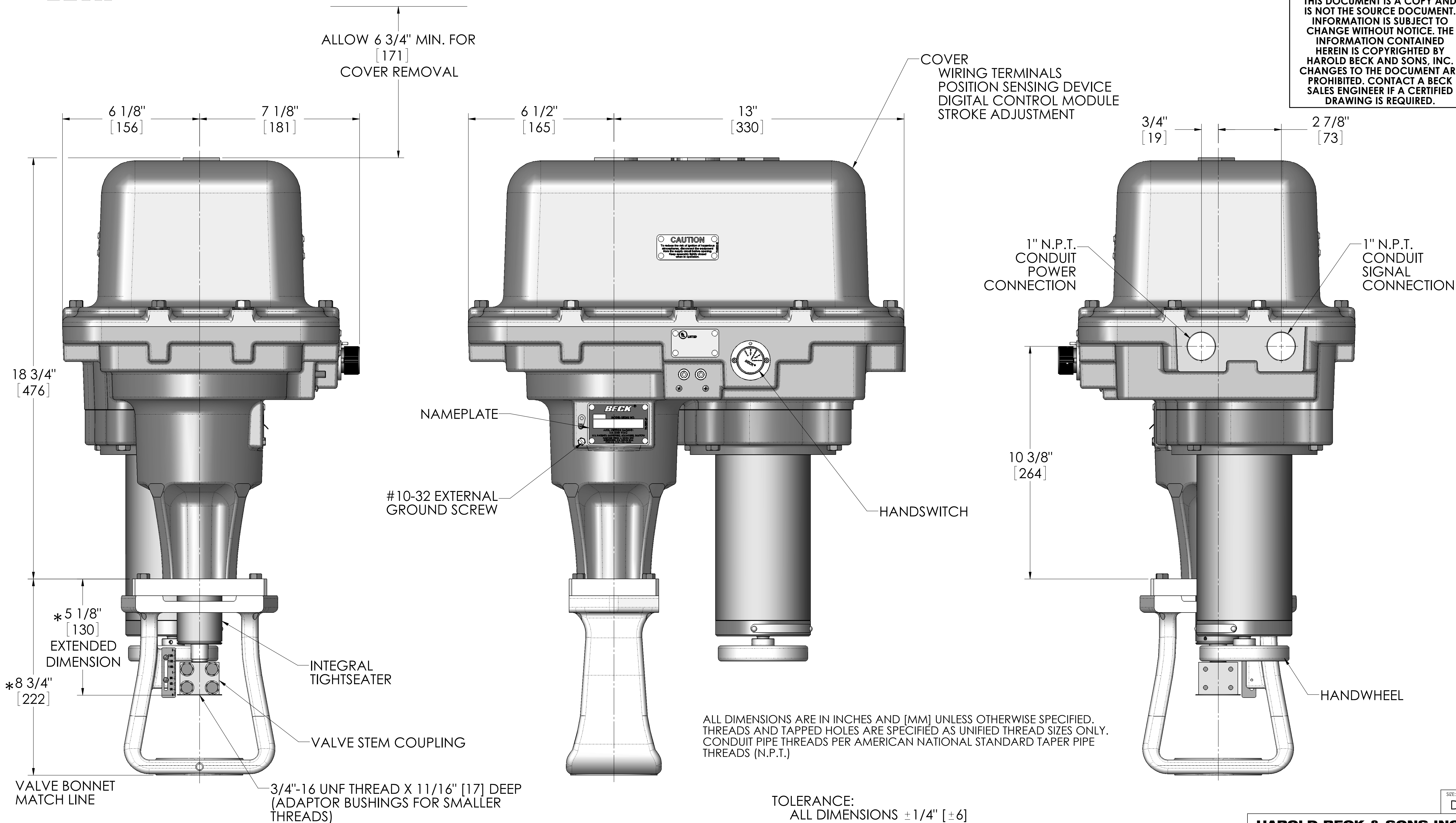


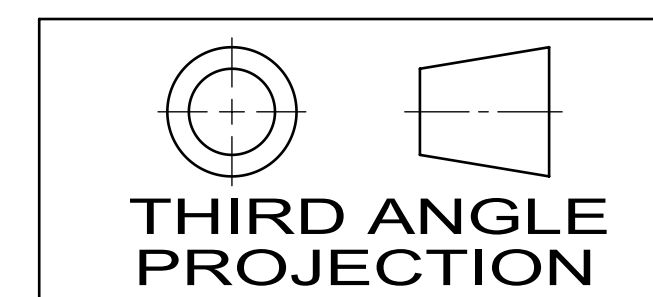
THIS DOCUMENT IS A COPY AND IS NOT THE SOURCE DOCUMENT. INFORMATION IS SUBJECT TO CHANGE WITHOUT NOTICE. THE INFORMATION CONTAINED HEREIN IS COPYRIGHTED BY HAROLD BECK AND SONS, INC. CHANGES TO THE DOCUMENT ARE PROHIBITED. CONTACT A BECK SALES ENGINEER IF A CERTIFIED DRAWING IS REQUIRED.



| BECK DRIVE MODEL NO. | DRIVE SHAFT TRAVEL RANGE | APPROX. WEIGHT LBS./KGS. |
|----------------------|--------------------------|--------------------------|
| 29-250 | 1/2"-2" [13-51] | 152/69 |

| FASTENER GUIDE | | |
|----------------|------------|--------------------|
| | SIZE (IN.) | TORQUE LB.-FT./Nm. |
| COVER SCREWS | 3/8-16 | 30/41 |
| MOTOR SCREWS | 3/8-16 | 15/20 |

18-2920-01o



HAROLD BECK & SONS INC.
NEWTOWN INDUSTRIAL COMMONS NEWTOWN, PENNSYLVANIA 18940 USA

TITLE:
OUTLINE DIMENSIONS
 29-250 DRIVES

| | | | |
|--------------------------|----------------|----------------------------|-----------|
| DRAWN: DWK 5-22-08 | SCALE: NONE | DRAWING NO: 18-2920-01o | REV: A |
| CHECKED: GMD 5-27-08 | | | |
| APPROVED: JHM 5-28-08 | | SHEET NO. 1 OF 1 | |

SIZE:
D