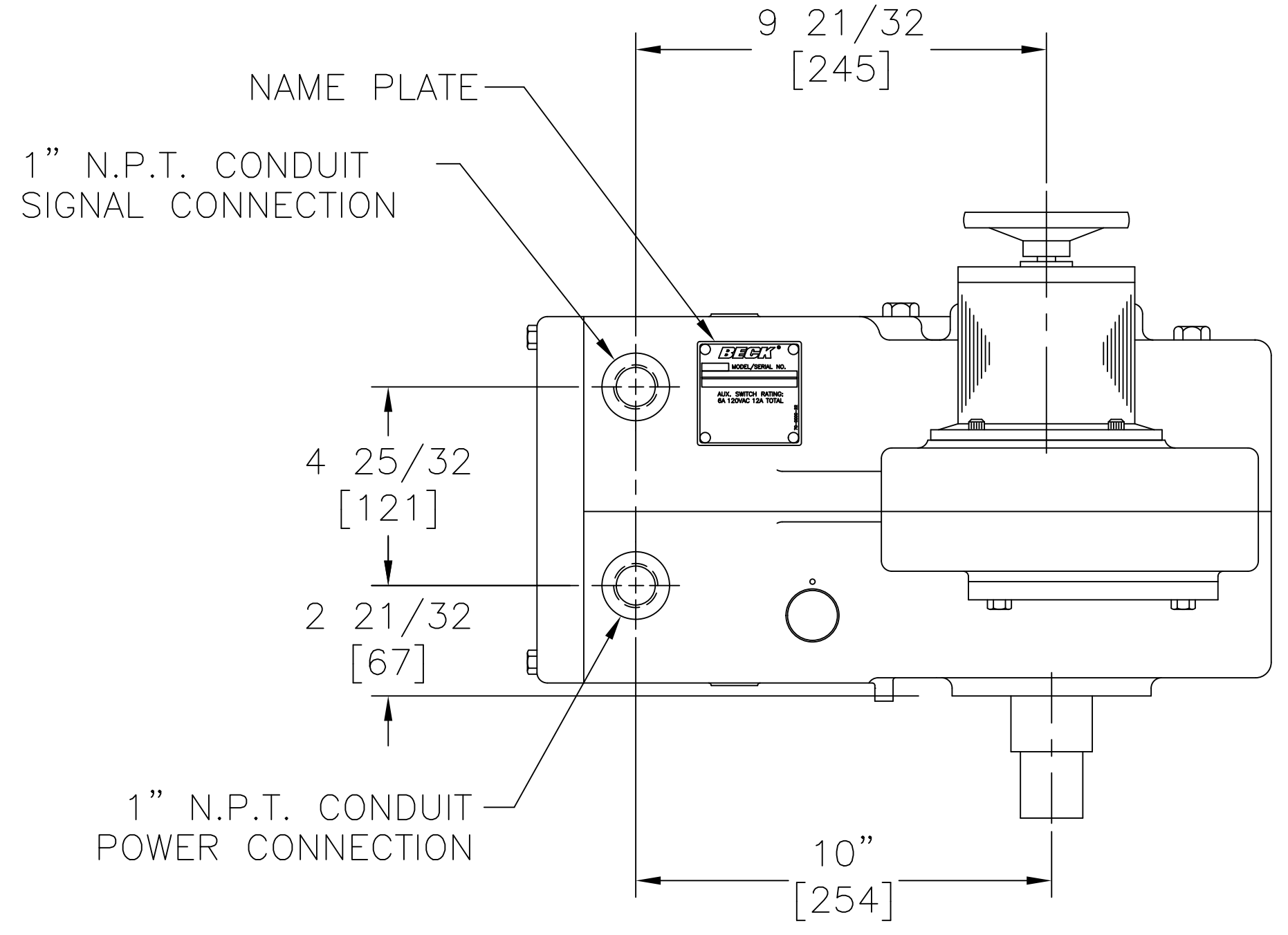
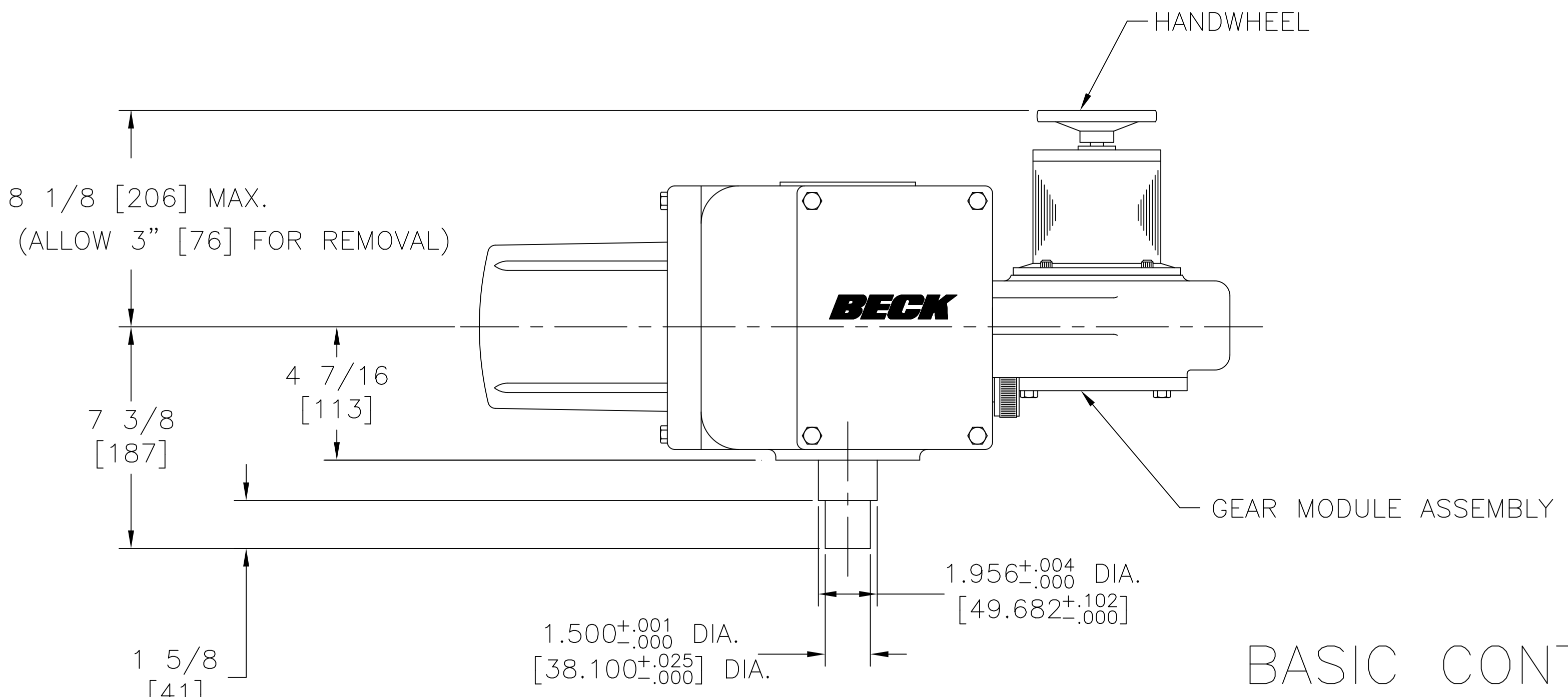
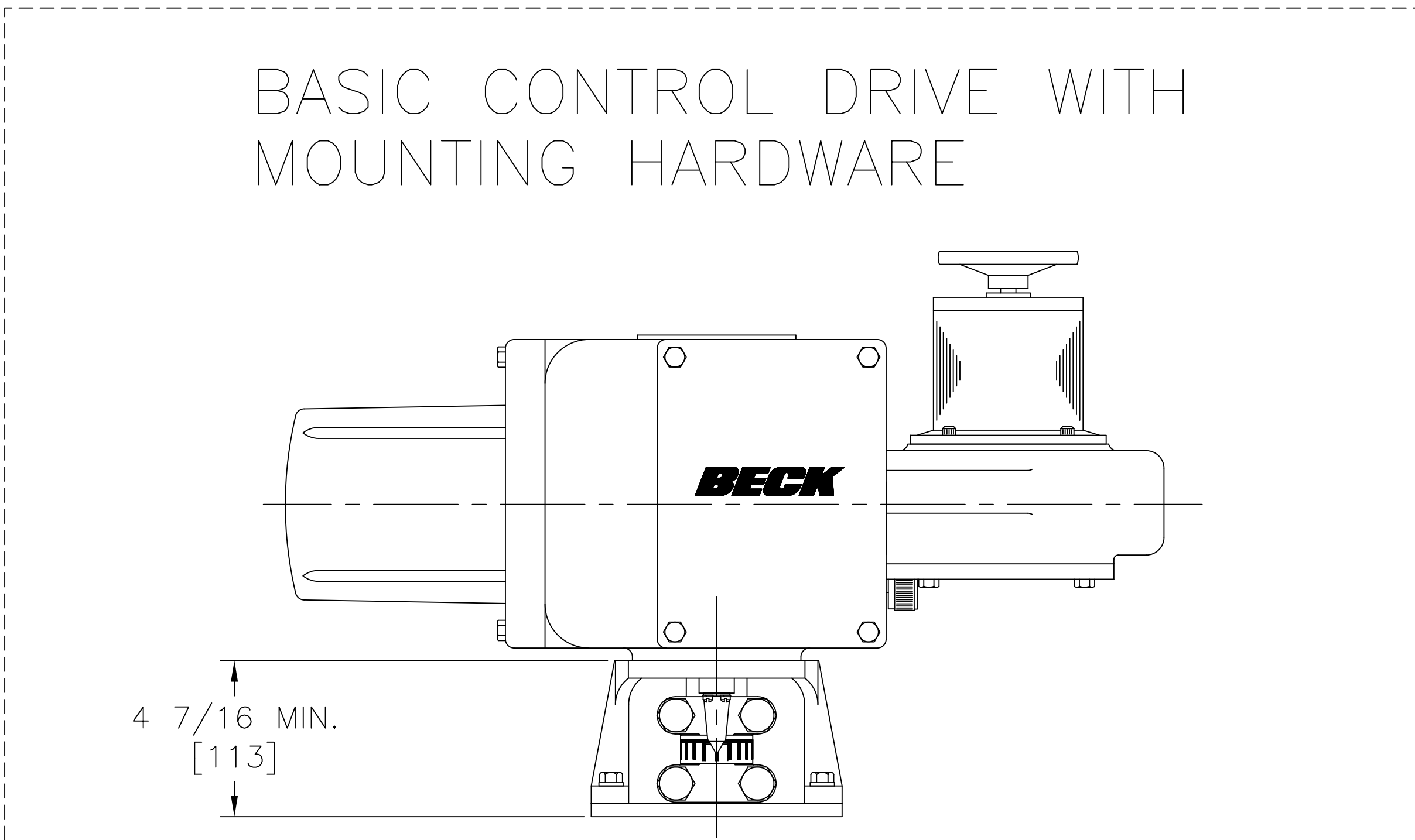
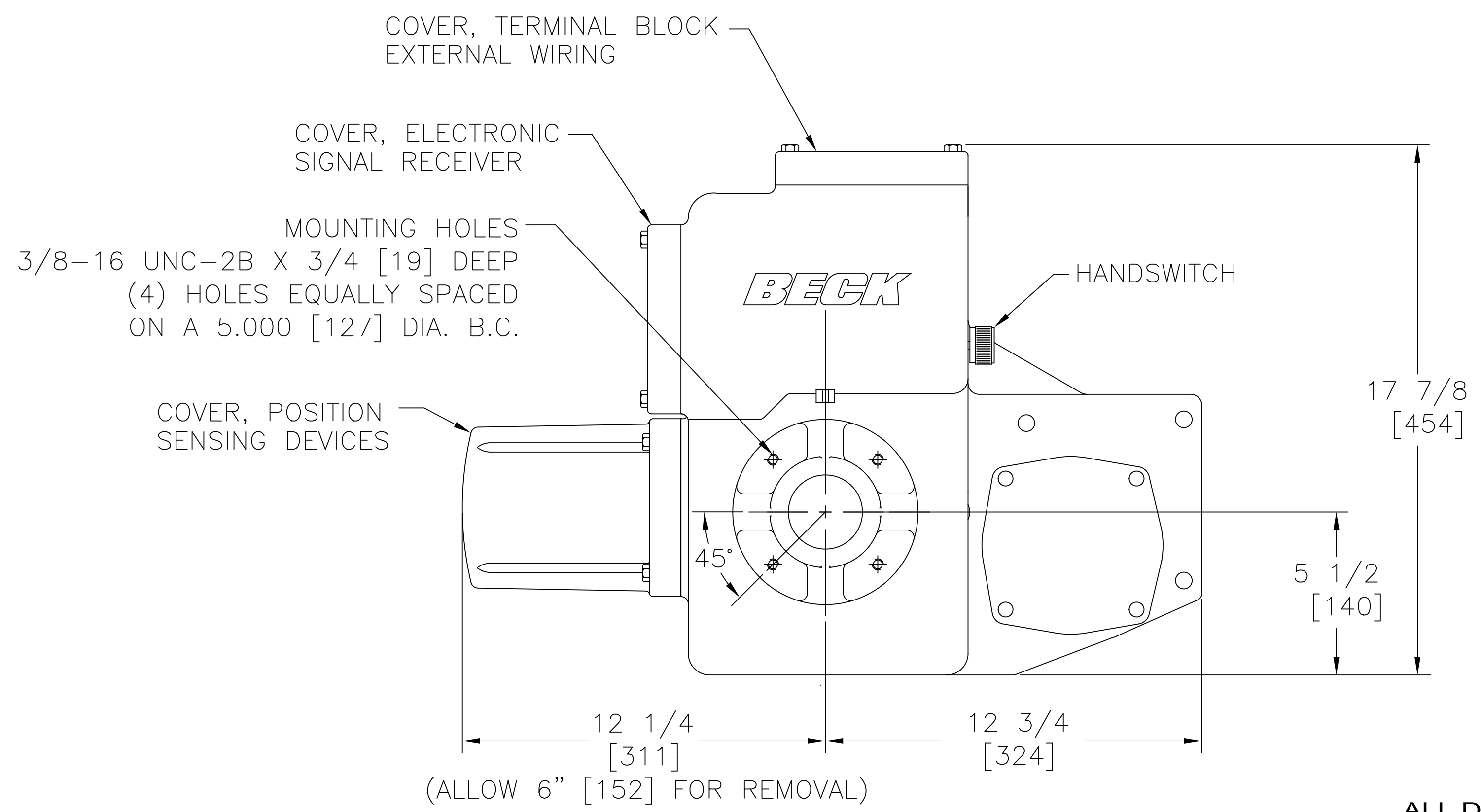


THIS DOCUMENT IS A COPY AND IS NOT THE SOURCE DOCUMENT. INFORMATION IS SUBJECT TO CHANGE WITHOUT NOTICE. THE INFORMATION CONTAINED HEREIN IS COPYRIGHTED BY HAROLD BECK AND SONS, INC. CHANGES TO THE DOCUMENT ARE PROHIBITED. CONTACT A BECK SALES ENGINEER IF A CERTIFIED DRAWING IS REQUIRED.



BASIC CONTROL DRIVE



BASIC CONTROL DRIVE WITH MOUNTING HARDWARE

TOLERANCES:
 OUTLINE DIMENSIONS ±1/4 [±6]
 MOUNTING DIMENSIONS ±1/16 [±2]

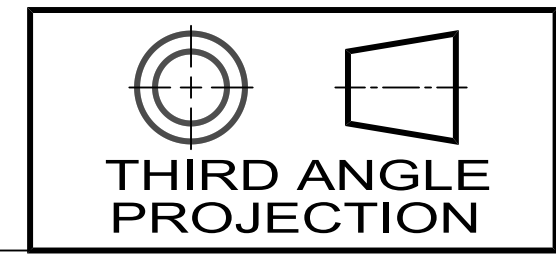
ALL DIMENSIONS ARE IN INCHES AND [MM] UNLESS OTHERWISE SPECIFIED.
 THREADS AND TAPPED HOLES ARE SPECIFIED AS UNIFIED THREAD SIZES ONLY.
 CONDUIT PIPE THREADS PER AMERICAN NATIONAL STANDARD TAPER PIPE THREADS (N.P.T.)

RECOMMENDED SCREW TORQUES			
	SIZE (IN.)	TORQUE (LB-FT)	TORQUE (Nm)
COVER SCREWS	5/16-18	10	14
GEAR MODULE SCREWS	5/16-18	10	14
MOTOR SCREWS	1/4-20	6	8
BODY SCREWS	3/8-16	20	27
BODY SCREWS	1/2-13	50	68
CONTROL END COVER SCREWS	5/16-18	10	14
COUPLING SCREWS	5/8-18	170*	230
MOUNTING BRACKET SCREWS (FLAT HEAD)	3/8-16	25	34

*MAY VARY PER APPLICATION. REFER TO VALVE MOUNTING SPECIFICATION SHEET SHIPPED WITH YOUR DRIVE.

BECK DRIVE MODEL NO.	TORQUE RANGE	APPROX. WEIGHT
11-260	125 TO 250 LB.-FT. 169 TO 339 Nm	115 LBS. 52 KGS.

18-0260-01o



HAROLD BECK & SONS INC
 NEWTOWN INDUSTRIAL COMMONS NEWTOWN, PENNSYLVANIA 18940 USA

TITLE: **OUTLINE DIMENSIONS BECK 11-260 DRIVE**

DRAWN: CWK 11-7-07	SCALE: NONE	DRAWING NO: 18-0260-01o	REV: H
CHECKED: GMD 11-12-07		SHEET NO. 1 OF 1	
APPROVED: JHM 11-12-07			

SIZE: D