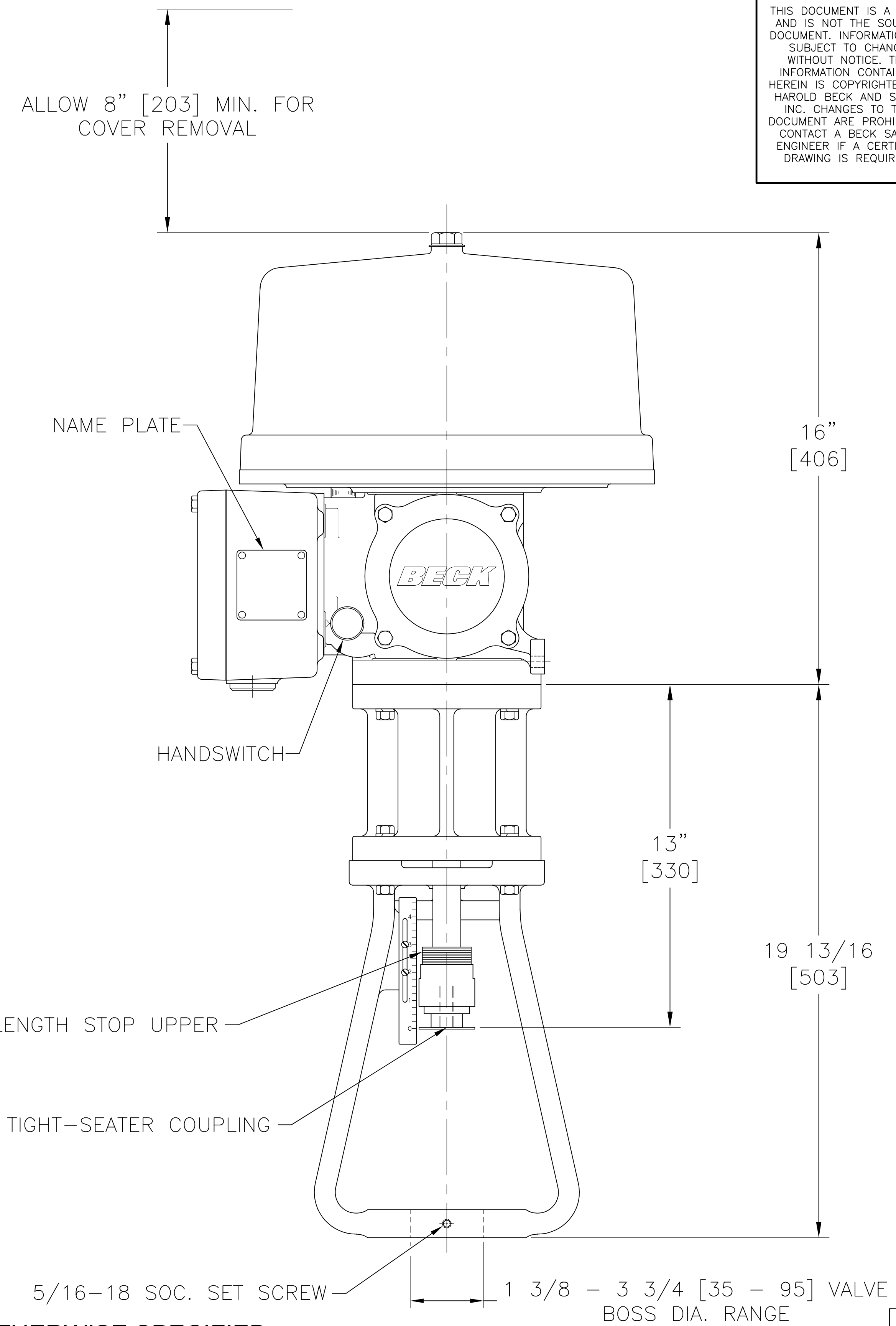
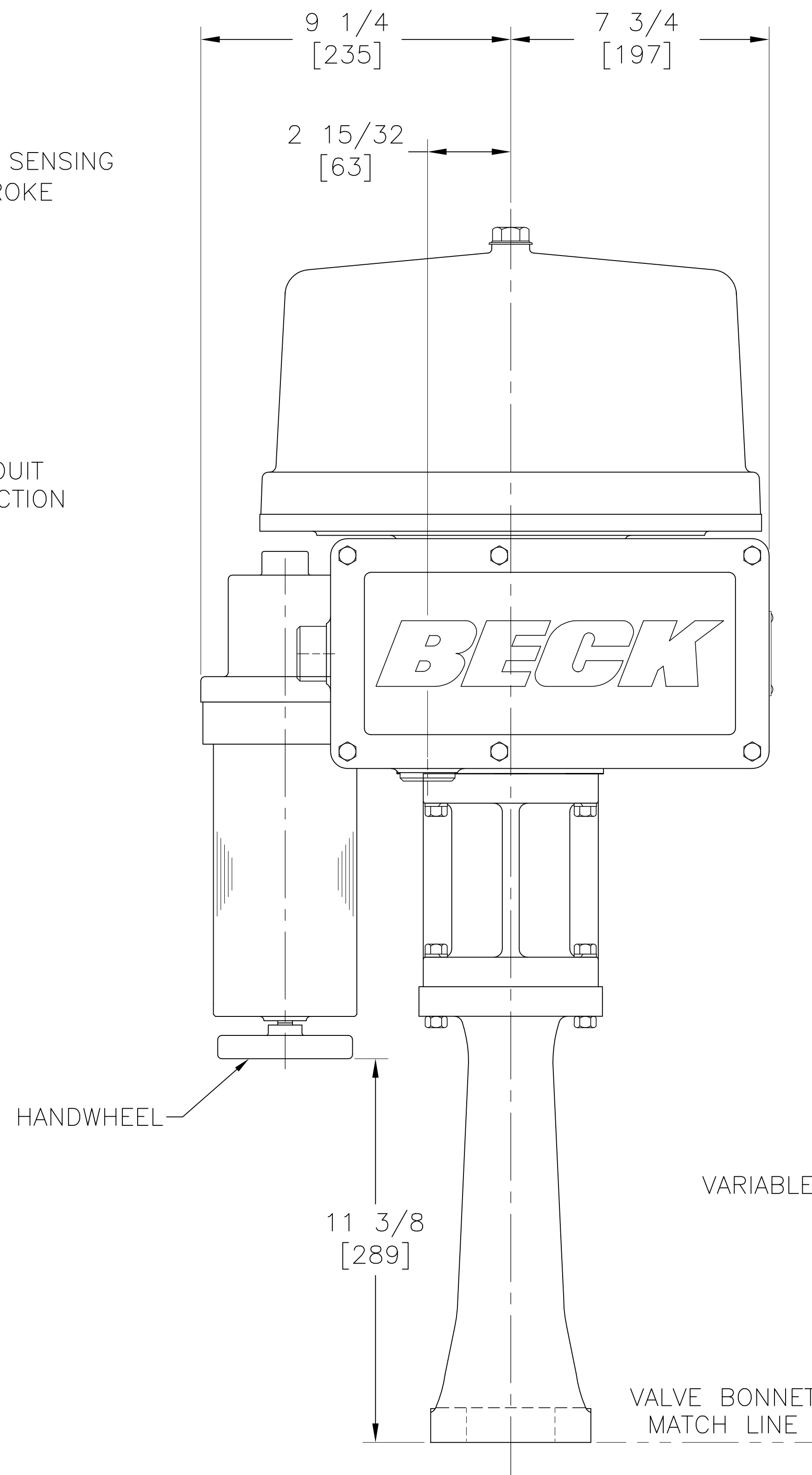
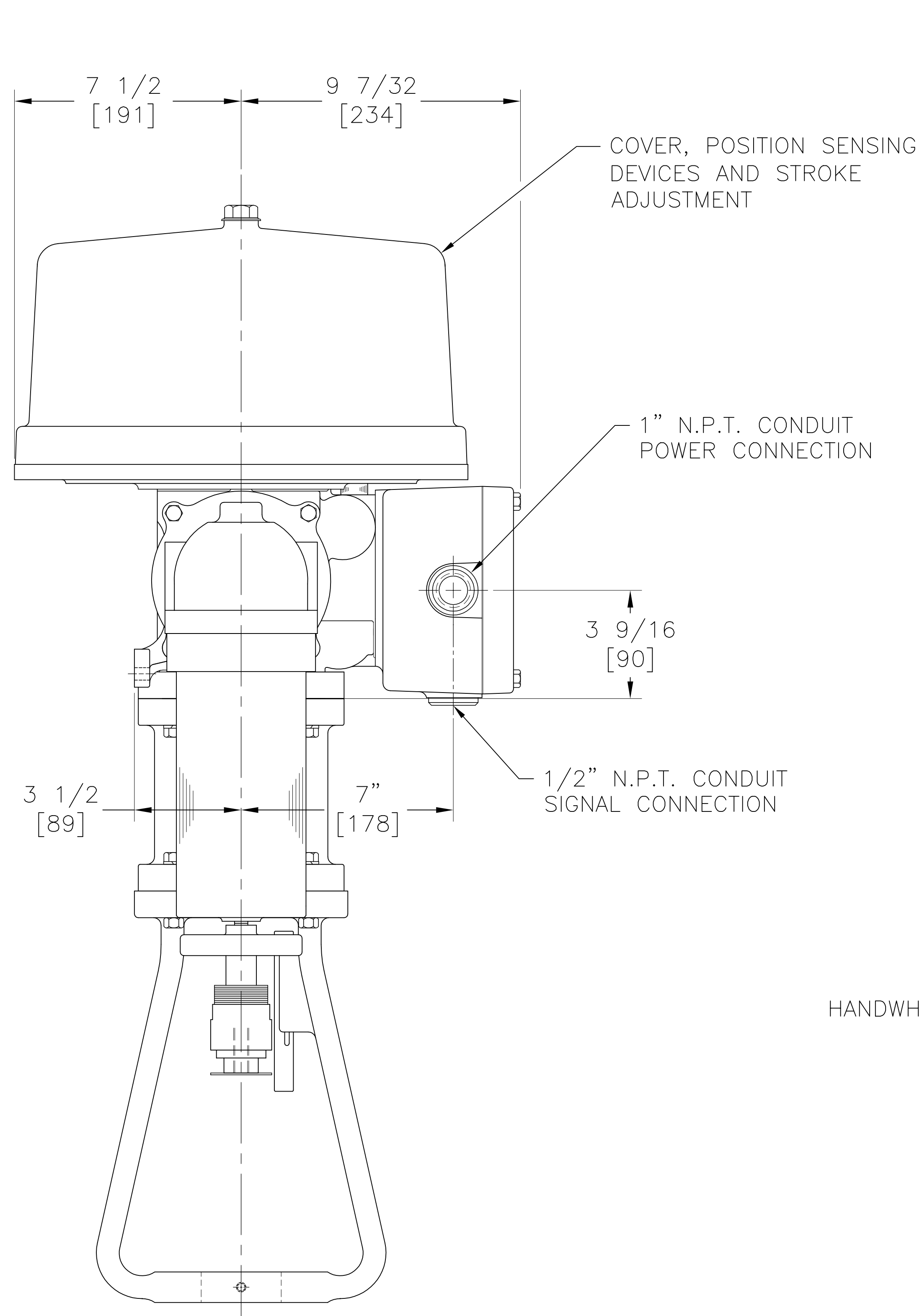


THIS DOCUMENT IS A COPY AND IS NOT THE SOURCE DOCUMENT. INFORMATION IS SUBJECT TO CHANGE WITHOUT NOTICE. THE INFORMATION CONTAINED HEREIN IS COPYRIGHTED BY HAROLD BECK AND SONS, INC. CHANGES TO THE DOCUMENT ARE PROHIBITED. CONTACT A BECK SALES ENGINEER IF A CERTIFIED DRAWING IS REQUIRED.



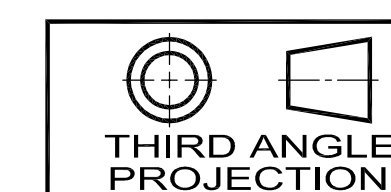
BECK DRIVE MODEL NO.	DRIVE SHAFT TRAVEL RANGE	MAX. VALVE STEM EXTENSION (STEM RETRACTED)	APPROX. WEIGHT
<input type="checkbox"/> 14-200	3/4 - 3 1/2 [19 - 89]	9 1/4 [235]	113 LBS. 51 KGS.
<input type="checkbox"/> 14-200	1 3/4 - 4 1/2 [44 - 114]	9 1/4 [235]	113 LBS. 51 KGS.

**ALL DIMENSIONS ARE IN INCHES AND [MM] UNLESS OTHERWISE SPECIFIED.
 THREADS AND TAPPED HOLES ARE SPECIFIED AS UNIFIED THREAD SIZES ONLY.
 CONDUIT PIPE THREADS PER AMERICAN NATIONAL STANDARD TAPER PIPE THREADS (N.P.T.)**

TOLERANCE:
 ALL DIMENSIONS ±1/4 [±6]

THE ORIENTATION BETWEEN THE DRIVE AND MOUNTING YOKE MAY BE ROTATED.

18-0142-02o



HAROLD BECK & SONS INC
 NEWTOWN INDUSTRIAL COMMONS NEWTOWN, PENNSYLVANIA 18940 USA

TITLE:
**OUTLINE DIMENSIONS BECK 14-200 DRIVE
 3/4" TO 4 1/2" [19mm TO 114mm] TRAVEL**

DRAWN: GMD 11/9/07	SCALE: NONE	DRAWING NO: 18-0142-02o	REV: B
CHECKED: DMS 11/9/07			
APPROVED: JHM 11/12/07		SHEET NO. 1 OF 1	