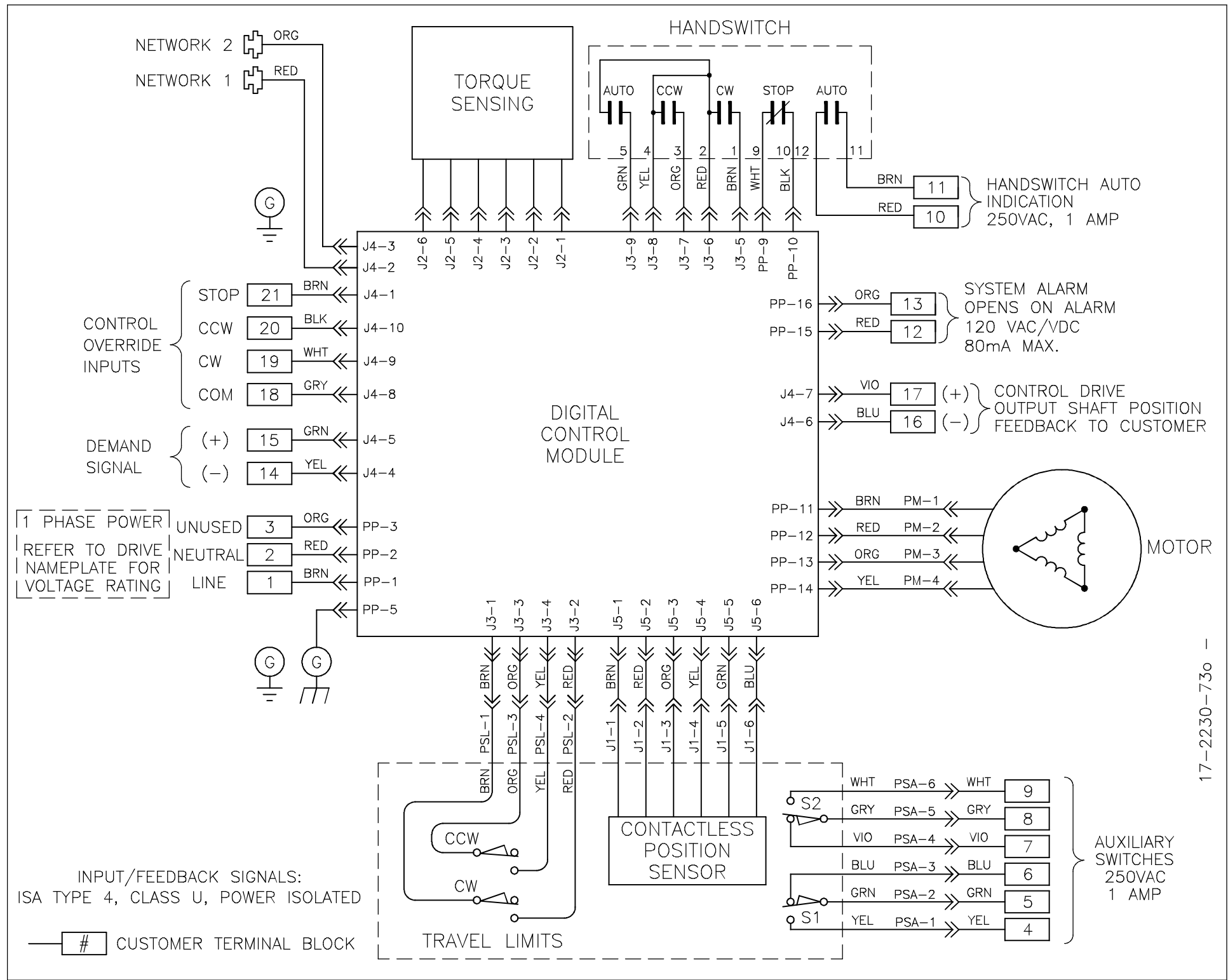


THIS DOCUMENT IS A COPY AND IS NOT THE SOURCE DOCUMENT. INFORMATION IS SUBJECT TO CHANGE WITHOUT NOTICE. THE INFORMATION CONTAINED HEREIN IS COPYRIGHTED BY HAROLD BECK AND SONS, INC. CHANGES TO THE DOCUMENT ARE PROHIBITED. CONTACT A BECK SALES ENGINEER IF A CERTIFIED DRAWING IS REQUIRED.



17-2230-730 -

SIZE:
B

HAROLD BECK & SONS INC			
<small>NEWTOWN INDUSTRIAL COMMONS NEWTOWN, PENNSYLVANIA 18940 USA</small>			
TITLE: WIRING DIAGRAM GROUP 22-300 CUSTOMER CONNECTIONS 2 AUXILIARY SWITCHES, QCSw			
DRAWN: CHH 2-19-14	SCALE: NONE	DRAWING NO: 17-2230-730	REV: -
CHECKED: BDP 2-19-14		SHEET NO. 1 OF 1	
APPROVED: HHS 2/20/14			