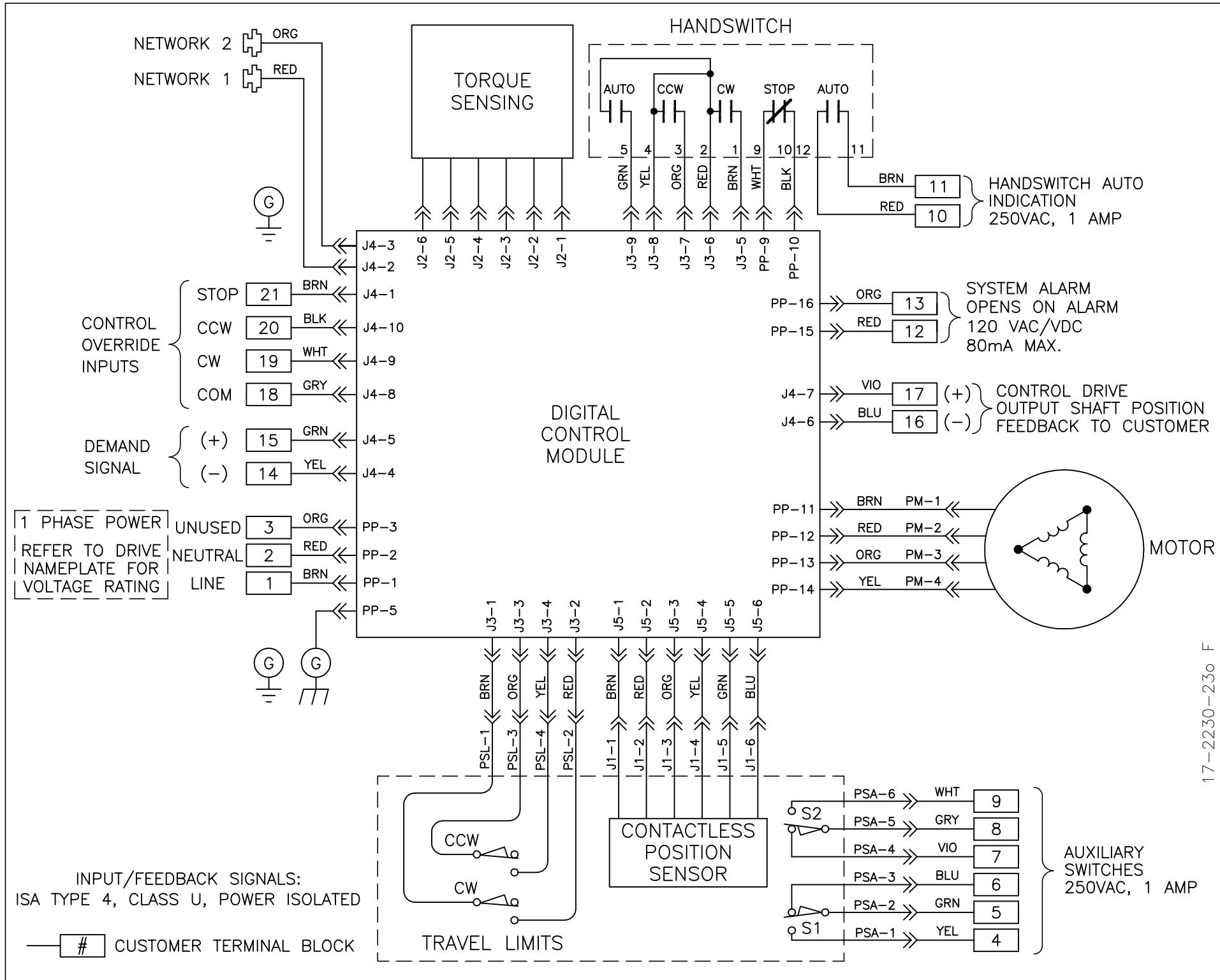


THIS DOCUMENT IS A COPY AND IS NOT THE SOURCE DOCUMENT. INFORMATION IS SUBJECT TO CHANGE WITHOUT NOTICE. THE INFORMATION CONTAINED HEREIN IS COPYRIGHTED BY HAROLD BECK AND SONS, INC. CHANGES TO THE DOCUMENT ARE PROHIBITED. CONTACT A BECK SALES ENGINEER IF A CERTIFIED DRAWING IS REQUIRED.



SIZE:
B

HAROLD BECK & SONS INC
NEWTOWN INDUSTRIAL COMMONS NEWTOWN, PENNSYLVANIA 18940 USA

TITLE:
**WIRING DIAGRAM
 GROUP 22-300 CUSTOMER CONNECTIONS
 2 AUXILIARY SWITCHES**

DRAWN: GMD 8/29/07	SCALE: NONE	DRAWING NO:	REV:
CHECKED: CHH 10/15/07		17-2230-230	F
APPROVED: JHM 10/16/07		SHEET NO. 1 OF 1	