

REMOTE INDICATION AND CONTROL STATIONS

NOTE: All products shown are NEMA 4X & rated -40° to 55° C. (-40° to 131° F.) by the manufacturer. Actual appearance may differ from depictions. For more information, see Rockwell Automation, Inc. "Bulletin 800T/H 30 mm Push Buttons".

**AUTO / MANUAL STATION
W/ INDICATION**

Model No.	Description
Spring Return (to Off) Position Switch	
12-9577-03	Red - Open/Green - Close
12-9577-04	Red - Close/Green - Open
Maintain (Open/Off/Close) Position Switch	
12-9577-25	Red - Open/Green - Close
12-9577-26	Red - Close/Green - Open

Provides visual indication that the actuator is at either end of travel (or any other 2 points in travel selected by the customer). Also allows movement of the actuator in either direction through use of a HAND/AUTO (Manual/Automatic) switch and an OPEN/CLOSE spring return to OFF switch. The OPEN/CLOSE return to OFF switch is also available as non-spring return (maintain position).



- ← Red Push-to-test LED indicator 12-130V AC/DC
- ← Green Push-to-test LED indicator 12-130V AC/DC
- ← 2-Position switch (HAND-AUTO) 600V, 10A
- ← 3-Position switch (OPEN-OFF-CLOSE) 600V, 10A

**MANUAL STATION
W/ INDICATION**

Model No.	Description
Spring Return (to Off) Position Switch	
12-9577-02	Red - Open/Green - Close
12-9577-06	Red - Close/Green - Open
Maintain (Open/Off/Close) Position Switch	
12-9577-01	Red - Open/Green - Close
12-9577-05	Red - Close/Green - Open

Provides visual indication that the actuator is at either end of travel (or any other 2 points in travel selected by the customer). Also allows movement of the actuator in either direction through use of a spring return switch. Switch is also available as non-spring return (maintain position).



- ← Red Push-to-test LED indicator 12-130V AC/DC
- ← 3-Position switch (OPEN-OFF-CLOSE) 600V, 10A
- ← Green Push-to-test LED indicator 12-130V AC/DC

**PILOT LIGHT
INDICATION**

Model No.	Description
12-9577-07	Red - Open/Green - Close
12-9577-08	Red - Close/Green - Open

Provides visual indication that the actuator is at either end of travel (or any other 2 points in travel selected by the customer).



- ← Red Push-to-test LED indicator 12-130V AC/DC
- ← Green Push-to-test LED indicator 12-130V AC/DC

**AUTO/MANUAL STATION
W/ DIGITAL DISPLAY KIT**

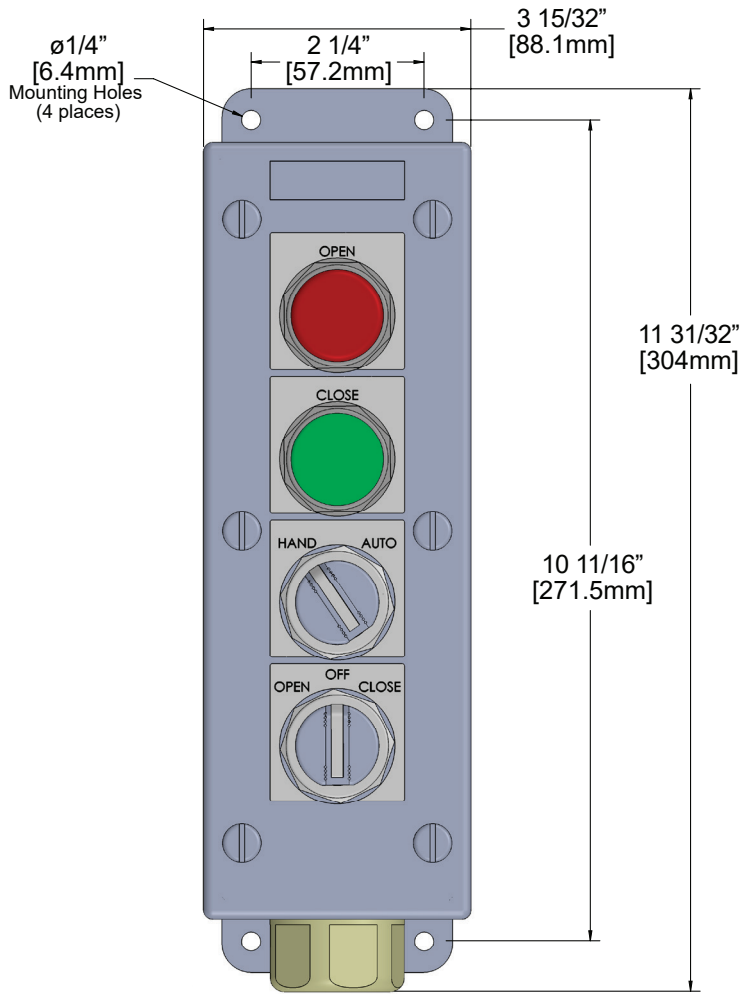
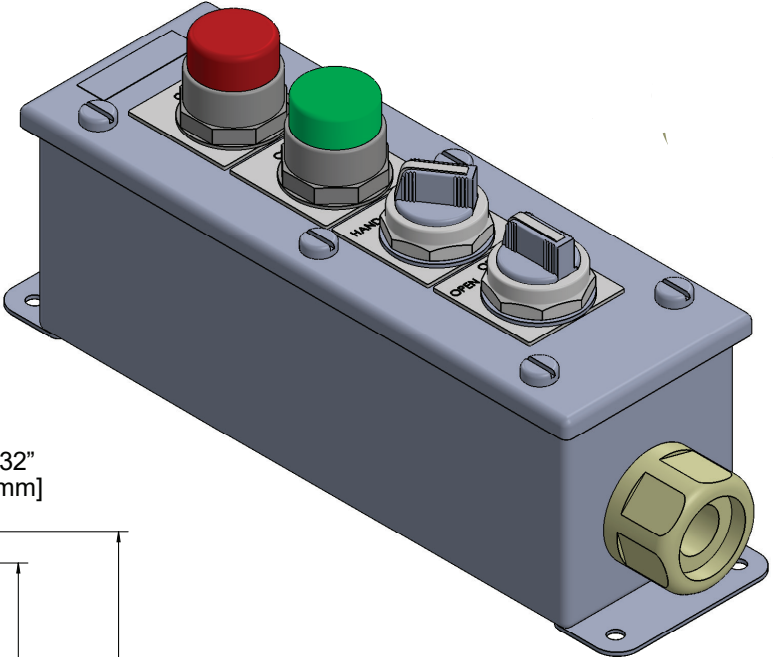
Kit No.	Description
12-9577-29	Includes 12-9577-30 (Auto/Manual Station w/ Spring Return Open/Close Switch) and 12-9577-27 (Digital Display)
12-9577-31	Includes 12-9577-32 (Auto/Manual Station w/ Maintain Open/Close Switch) and 12-9577-27 (Digital Display)

Allows movement of the actuator in either direction through use of a HAND/AUTO (Manual/Automatic) switch and an OPEN/CLOSE spring return to OFF switch. Switch is also available as non-spring return (maintain position). Kit includes a loop-powered LCD 0-100% position indicator (digital display).

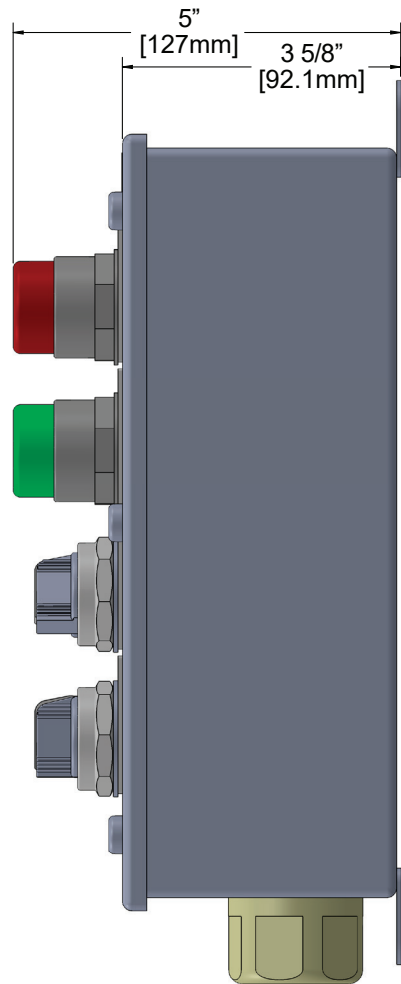


- ← 3-Position switch (OPEN-OFF-CLOSE) 600V, 10A
- ← 2-Position switch (HAND-AUTO) 600V, 10A

AUTO / MANUAL STATION WITH INDICATION



FRONT



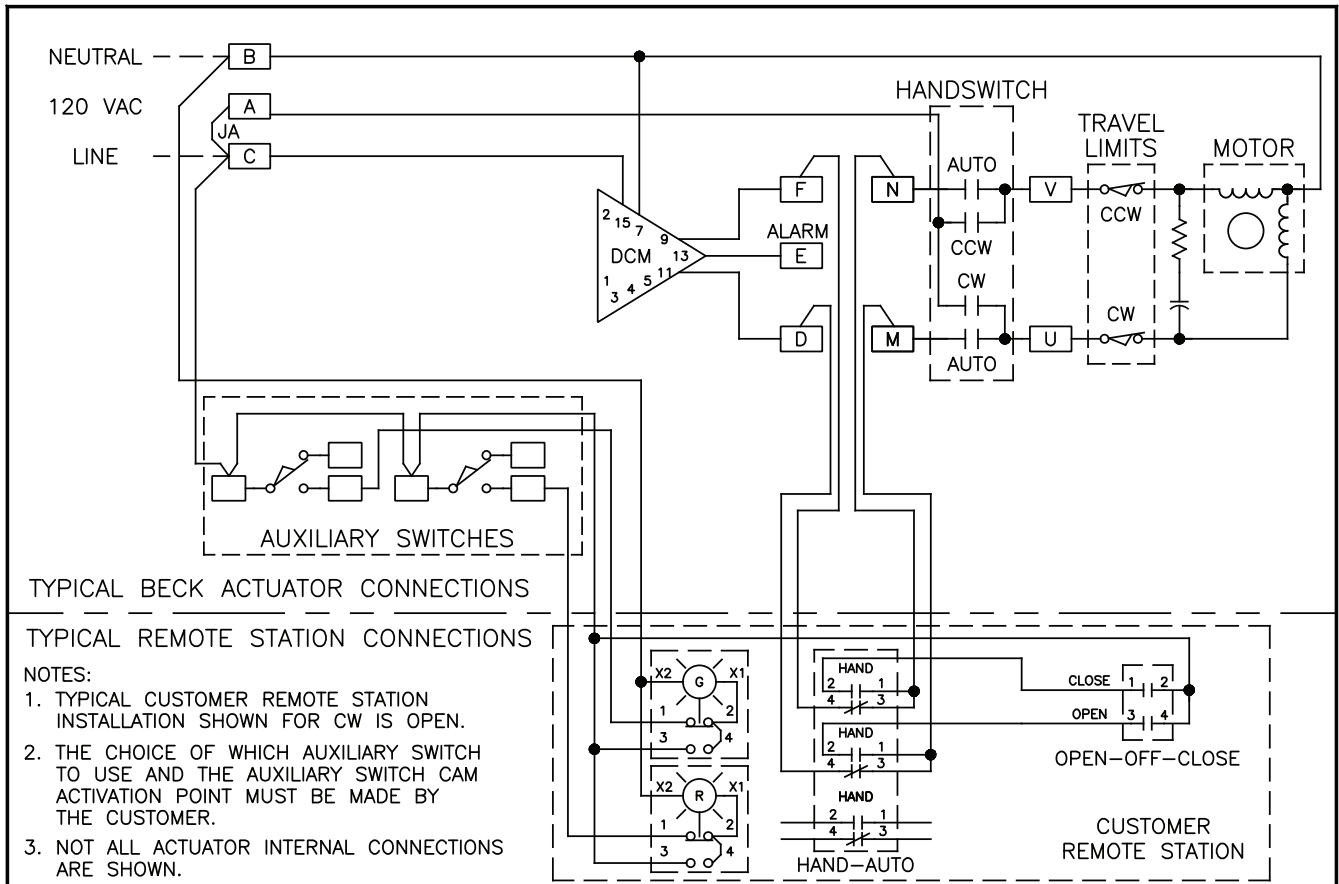
SIDE

AUTO / MANUAL STATION WITH INDICATION

TYPICAL WIRING CONNECTIONS

(may vary depending upon actuator model and options)

<Terminal Wire capacity = #18-#14 AWG (0.75-2.5 mm²); max. = (2) #14 AWG or (1) #12 AWG>

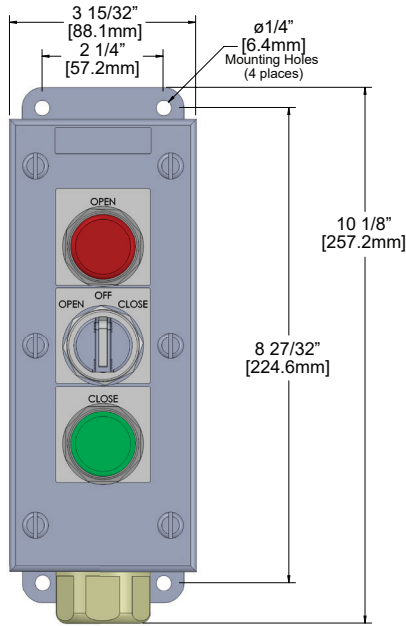


NOTES:

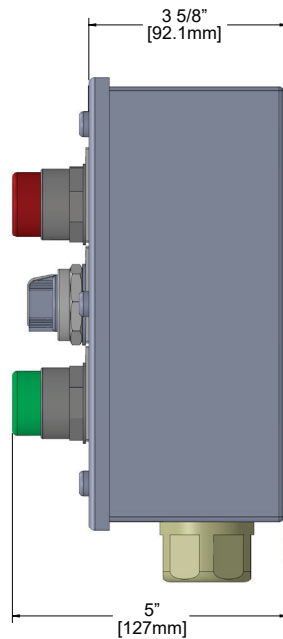
1. TYPICAL CUSTOMER REMOTE STATION INSTALLATION SHOWN FOR CW IS OPEN.
2. THE CHOICE OF WHICH AUXILIARY SWITCH TO USE AND THE AUXILIARY SWITCH CAM ACTIVATION POINT MUST BE MADE BY THE CUSTOMER.
3. NOT ALL ACTUATOR INTERNAL CONNECTIONS ARE SHOWN.

**NOTE: All dimensions subject to change without notice. Push to test LED "OPEN" & "CLOSE" nameplates may be switched as necessary to match application requirements.*

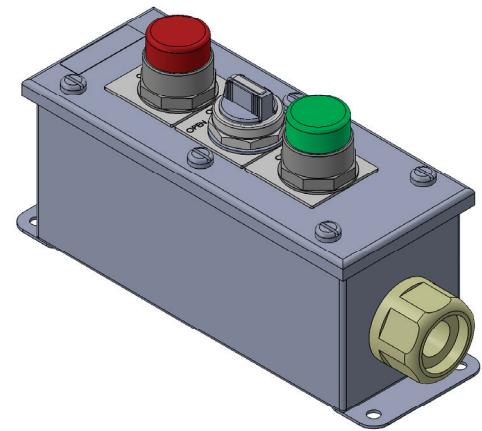
MANUAL STATION WITH INDICATION



FRONT



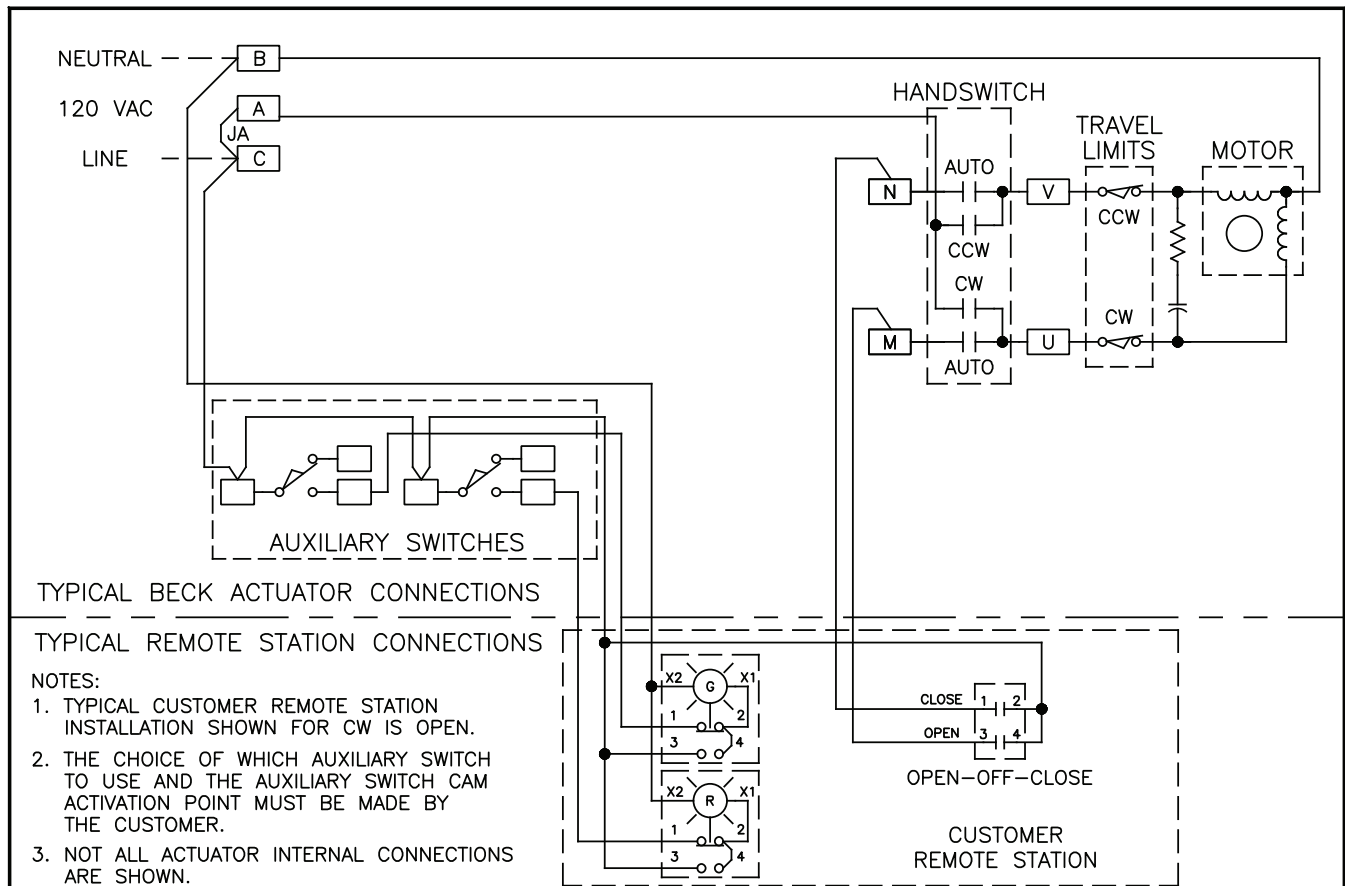
SIDE



TYPICAL WIRING CONNECTIONS

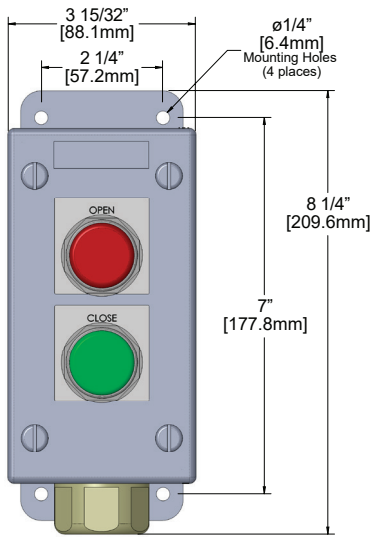
(may vary depending upon actuator model and options)

<Terminal Wire capacity = #18-#14 AWG (0.75-2.5 mm²); max. = (2) #14 AWG or (1) #12 AWG>

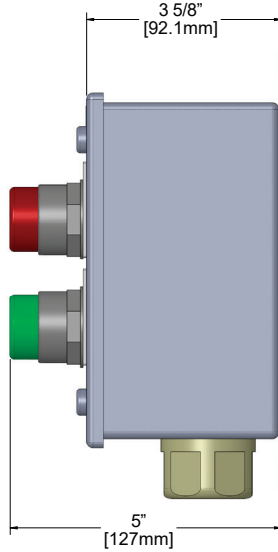


4 *NOTE: All dimensions subject to change without notice. Push to test LED "OPEN" & "CLOSE" nameplates may be switched as necessary to match application requirements.

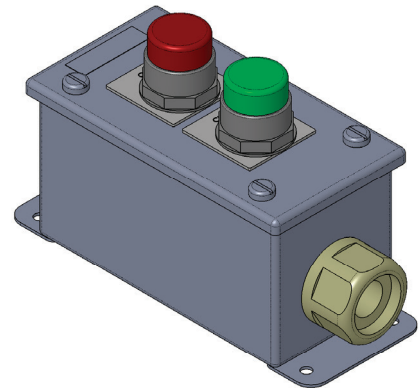
PILOT LIGHT INDICATION



FRONT



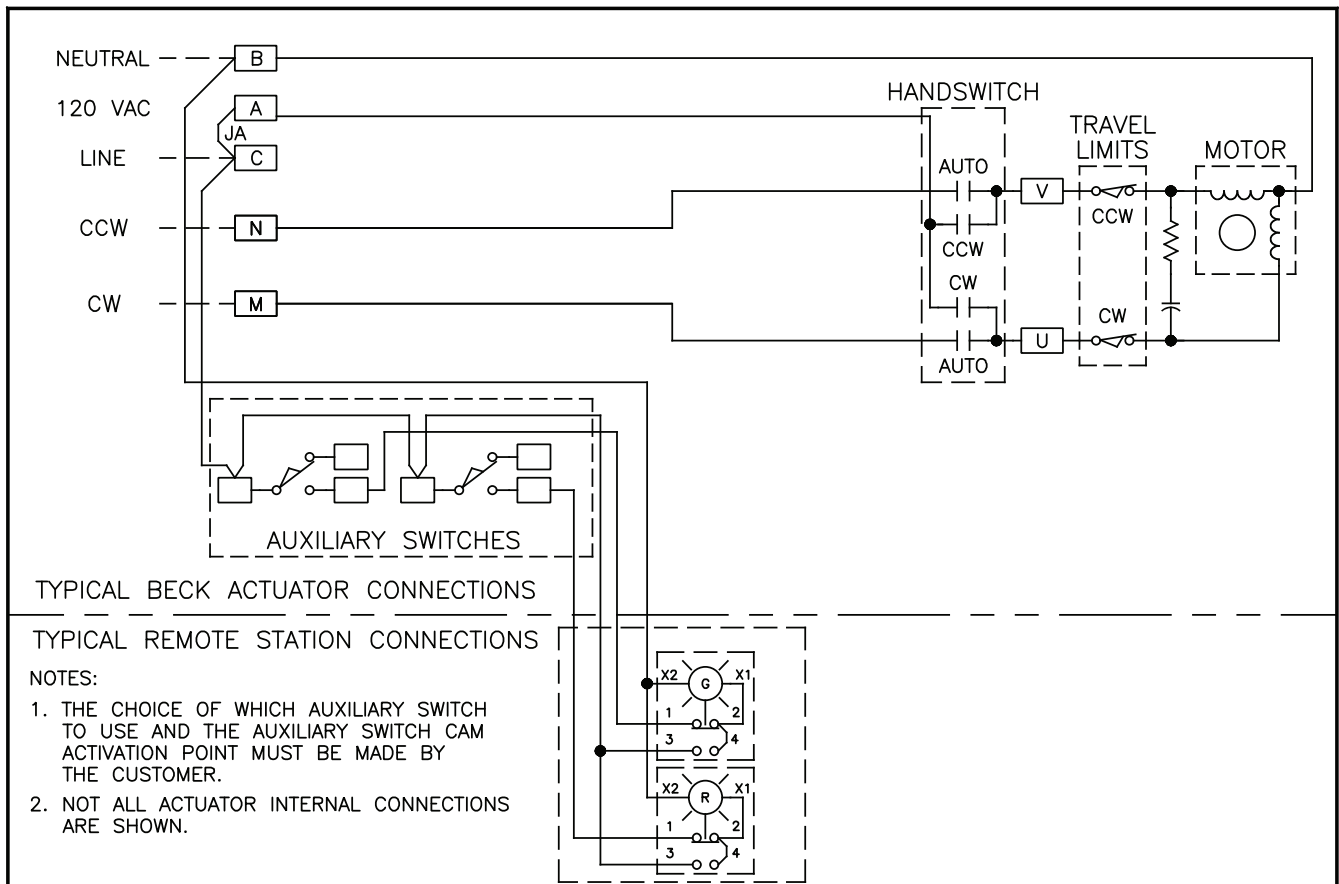
SIDE



TYPICAL WIRING CONNECTIONS

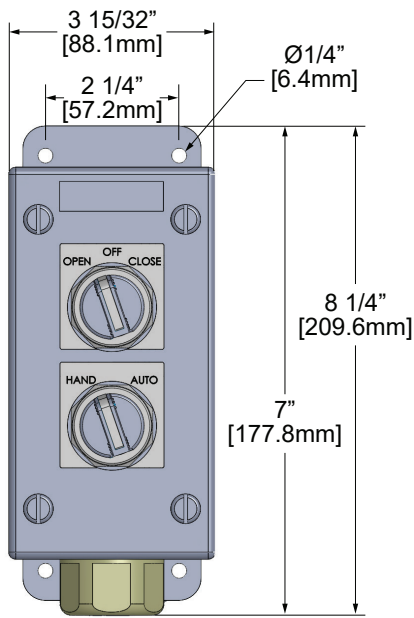
(may vary depending upon actuator model and options)

<Terminal Wire capacity = #18-#14 AWG (0.75-2.5 mm²); max. = (2) #14 AWG or (1) #12 AWG>

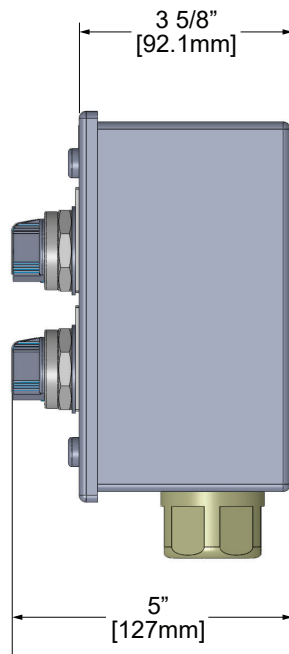


*NOTE: All dimensions subject to change without notice. Push to test LED "OPEN" & "CLOSE" nameplates may be switched as necessary to match application requirements. 5

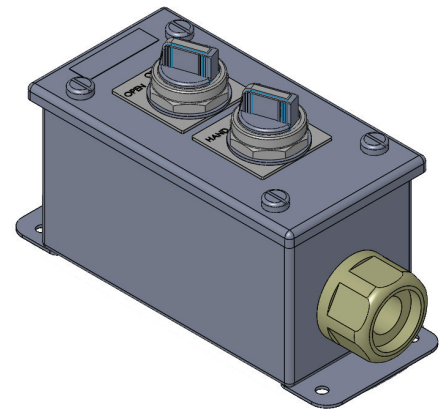
AUTO / MANUAL STATION WITH DIGITAL DISPLAY (KIT)



FRONT

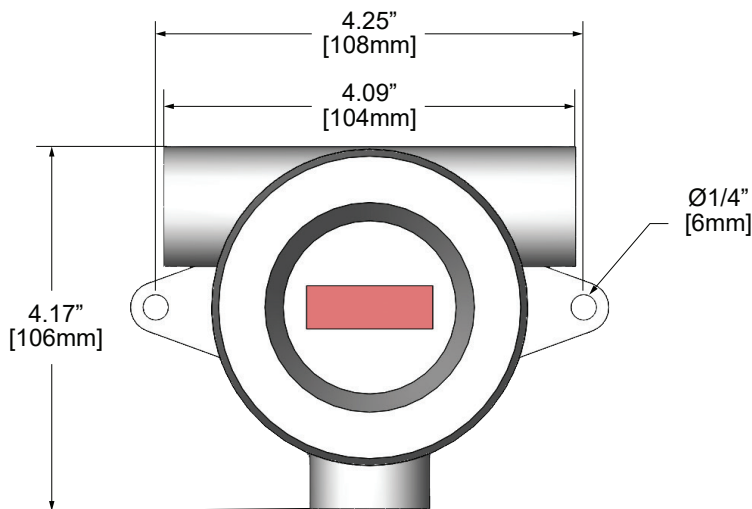


SIDE

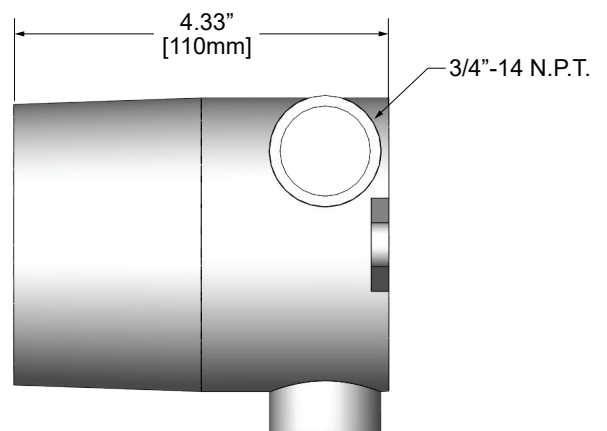


*NOTE: All dimensions subject to change without notice.

INOR LC-H11X LOOP-POWERED POSITION INDICATOR (DIGITAL DISPLAY)*



FRONT



SIDE

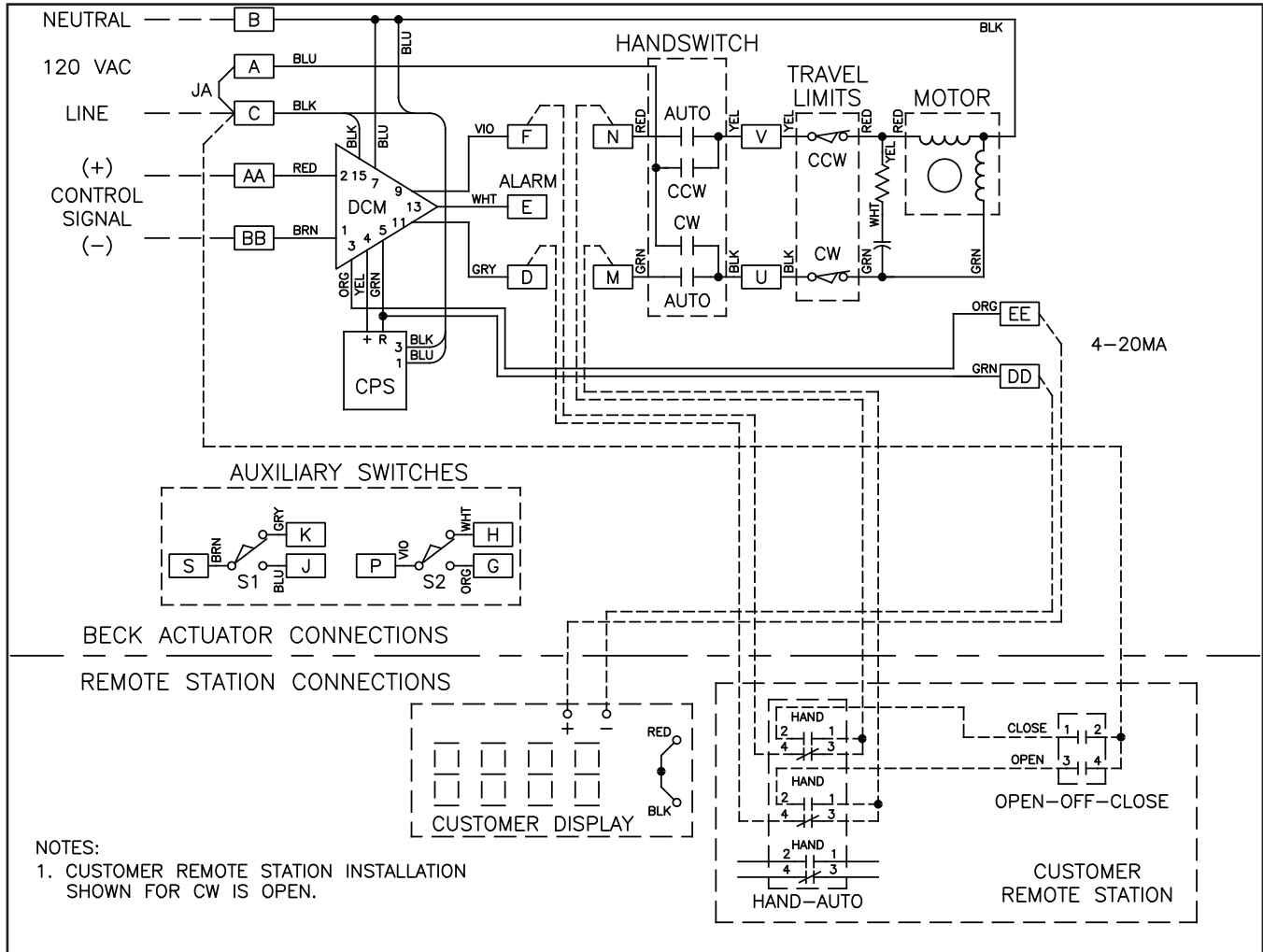
*NOTE: Dimensions provided by the manufacturer are shown for convenience and are subject to change without notice.

AUTO / MANUAL STATION WITH DIGITAL DISPLAY (KIT)

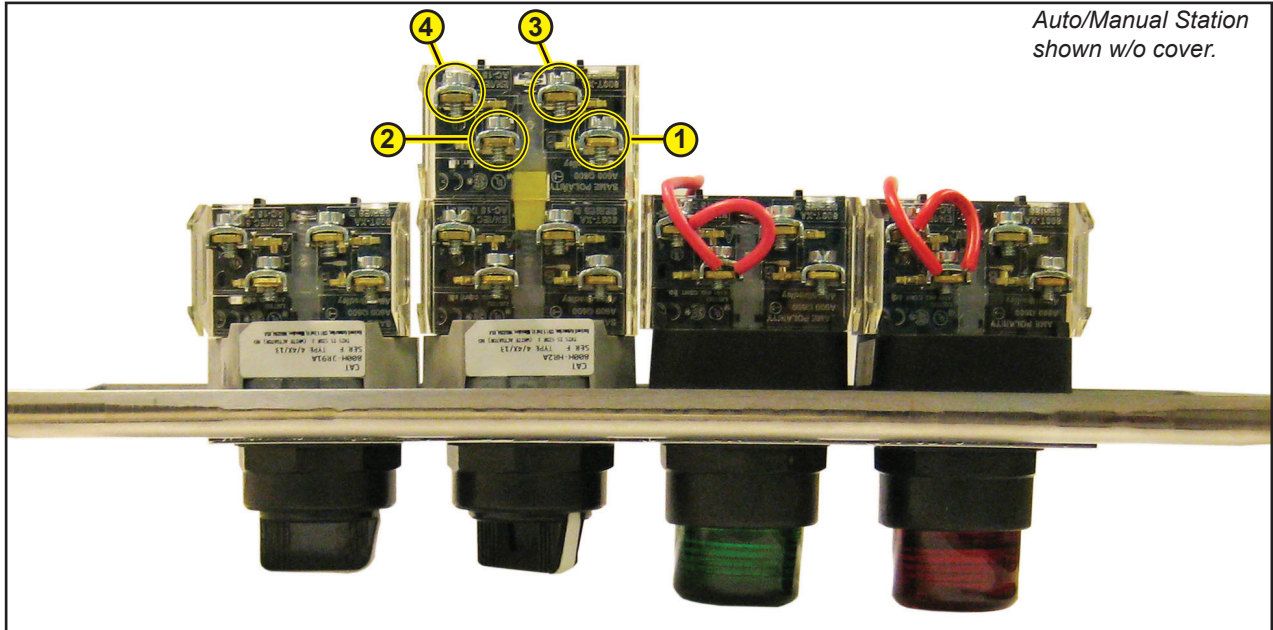
TYPICAL WIRING CONNECTIONS

(may vary depending upon actuator model and options)

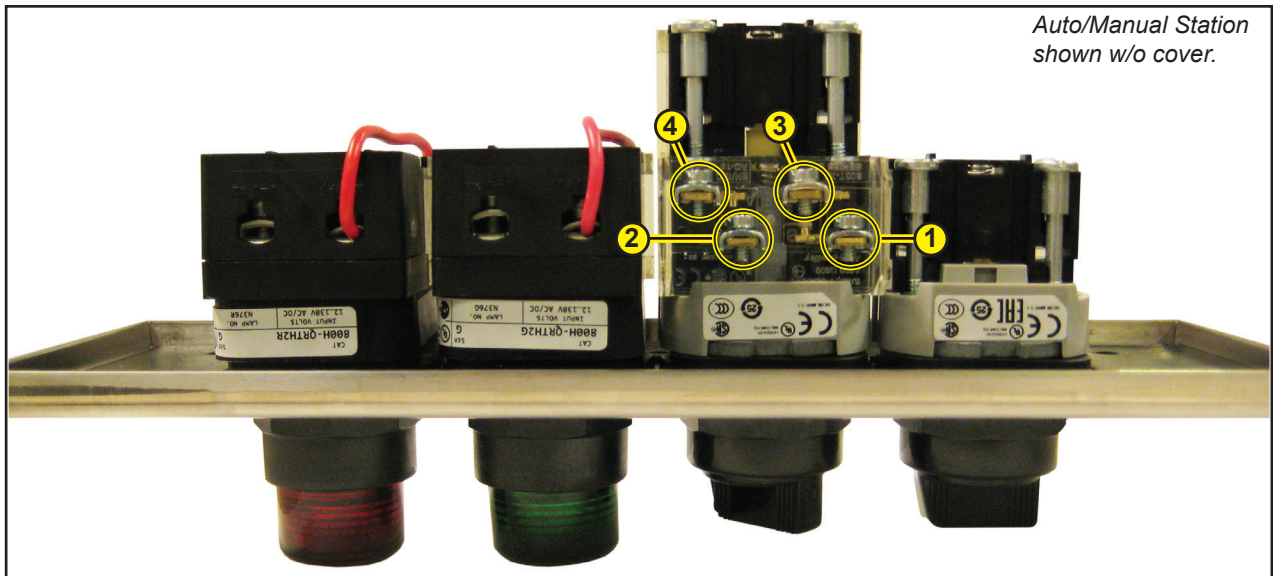
<Terminal Wire capacity = #18-#14 AWG (0.75-2.5 mm²); max. = (2) #14 AWG or (1) #12 AWG>



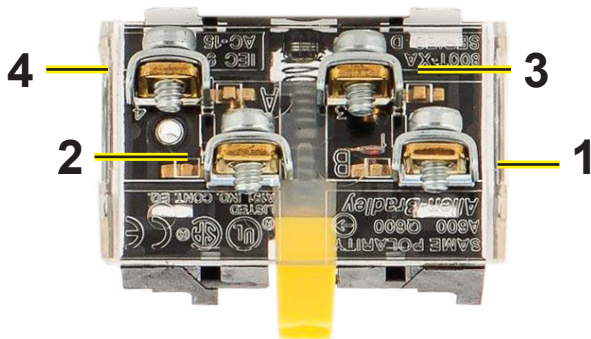
TERMINAL NUMBER IDENTIFICATION



Auto/Manual Station shown w/o cover.



Auto/Manual Station shown w/o cover.



All of the individual terminal boards are the same -- the terminals are oriented and numbered the same. The number of terminal boards will vary depending upon the indication station type.

BECK® **HAROLD BECK & SONS, INC.**

Made in USA 

11 TERRY DRIVE • NEWTOWN, PENNSYLVANIA 18940 • USA
 PHONE: 215-968-4600 • FAX: 215-860-6383 • E-MAIL: sales@haroldbeck.com
www.haroldbeck.com